

REVISIONS			
REV	DESCRIPTION	DATE	APPROVED
J	ADDED GLAZED FIR TRIMS	08/26/2021	R.L.

NOTES:

1. THE PRODUCT SHOWN HEREIN IS DESIGNED AND MANUFACTURED TO COMPLY WITH REQUIREMENTS OF THE FLORIDA BUILDING CODE.
2. WOOD FRAMING, METAL STRUCTURE AND MASONRY OPENING TO BE DESIGNED AND ANCHORED TO PROPERLY TRANSFER ALL LOADS TO STRUCTURE. FRAMING AND MASONRY OPENING IS THE RESPONSIBILITY OF THE ARCHITECT OR ENGINEER OF RECORD.
3. 1X BUCK OVER MASONRY/CONCRETE IS OPTIONAL. WHERE 1X BUCK IS NOT USED DISSIMILAR MATERIALS MUST BE SEPARATED WITH APPROVED COATING OR MEMBRANE. SELECTION OF COATING OR MEMBRANE IS THE RESPONSIBILITY OF THE ARCHITECT OR ENGINEER OF RECORD.
4. ALLOWABLE STRESS INCREASE OF 1/3 WAS NOT USED IN THE DESIGN OF THE PRODUCT SHOWN HEREIN. WIND LOAD DURATION FACTOR Cd=1.6 WAS USED FOR WOOD ANCHOR CALCULATIONS.
5. FRAME MATERIAL: WOOD WITH G=.46 MINIMUM SPECIFIC GRAVITY, OR COMPOSITE, OR FRAMESAVER OR FUSION FRAME.
DOOR SKIN MATERIAL: STEEL .033" THICK (MINIMUM), FIBERGLASS .085" THICK (MINIMUM)
SIDELITE SKIN MATERIAL: STEEL .022" THICK (MINIMUM)
6. UNITS MUST BE GLAZED PER ASTM E1300, WITH SAFETY GLAZING.
7. APPROVED IMPACT PROTECTIVE SYSTEM IS REQUIRED FOR THIS PRODUCT IN WIND BORNE DEBRIS REGIONS.
8. SHIM AS REQUIRED AT EACH INSTALLATION ANCHOR WITH LOAD BEARING SHIM. SHIM WHERE SPACE OF 1/16" OR GREATER OCCURS. MAXIMUM ALLOWABLE SHIM STACK TO BE 1/4".
9. FOR ANCHORING INTO WOOD FRAMING OR 2X BUCK USE #10 WOOD SCREWS WITH SUFFICIENT LENGTH TO ACHIEVE A 1 3/8" MINIMUM EMBEDMENT INTO SUBSTRATE. LOCATE ANCHORS AS SHOWN IN ELEVATIONS AND INSTALLATION DETAILS.
10. FOR ANCHORING INTO MASONRY/CONCRETE USE 3/16" TAPCONS WITH SUFFICIENT LENGTH TO ACHIEVE A 1 3/4" MINIMUM EMBEDMENT INTO SUBSTRATE WITH 2" MINIMUM EDGE DISTANCE. LOCATE ANCHORS AS SHOWN IN ELEVATIONS AND INSTALLATION DETAILS.
11. FOR ANCHORING INTO METAL STRUCTURE USE #10 SMS OR SELF DRILLING SCREWS WITH SUFFICIENT LENGTH TO ACHIEVE 3 THREADS MINIMUM BEYOND STRUCTURE INTERIOR WALL. LOCATE ANCHORS AS SHOWN IN ELEVATIONS AND INSTALLATION DETAILS.

12. ALL FASTENERS TO BE CORROSION RESISTANT.
13. INSTALLATION ANCHORS SHALL BE INSTALLED IN ACCORDANCE WITH ANCHOR MANUFACTURER'S INSTALLATION INSTRUCTIONS AND ANCHORS SHALL NOT BE USED IN SUBSTRATES WITH STRENGTHS LESS THAN THE MINIMUM STRENGTH SPECIFIED BELOW:
 - A. WOOD – MINIMUM SPECIFIC GRAVITY OF G=0.42
 - B. CONCRETE – MINIMUM COMPRESSIVE STRENGTH OF 3,192 PSI.
 - C. MASONRY – GROUT FILLED STRENGTH CONFORMANCE TO ASTM C-90, GRADE N, TYPE 1 (OR GREATER).
 - D. METAL STRUCTURE: STEEL 18GA, 33KSI OR ALUMINUM 6063-T5 .048" THICK MINIMUM
14. DOOR CONSTRUCTION MAYBE CONTINUOUS HEAD FRAME AND CONTINUOUS THRESHOLD OR BOX CONSTRUCTION.

TABLE OF CONTENTS	
SHEET NO.	DESCRIPTION
1	NOTES
2	ELEVATION
3	APPROVED CONFIGURATIONS & COMPONENTS DETAILS
4 – 5	ANCHORING LAYOUTS
6 – 9	INSTALLATION DETAILS
10 – 13	COMPONENTS

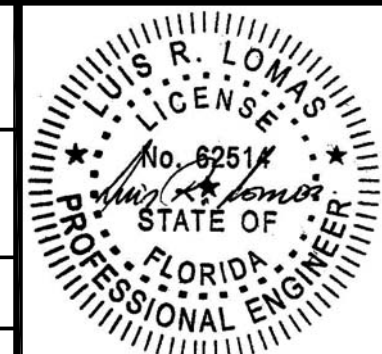
PROVIA, LLC.
2150 STATE ROUTE 39 WEST
SUGARCREEK, OH 44681

STEEL/FIBERGLASS INSWING GLAZED PATIO DOOR
W/SIDELITES & TRANSOM NON-IMPACT
NOTES

DRAWN: V.L.	DWG NO. 08-02108	REV J
SCALE NTS	DATE 07/01/13	SHEET 1 OF 13

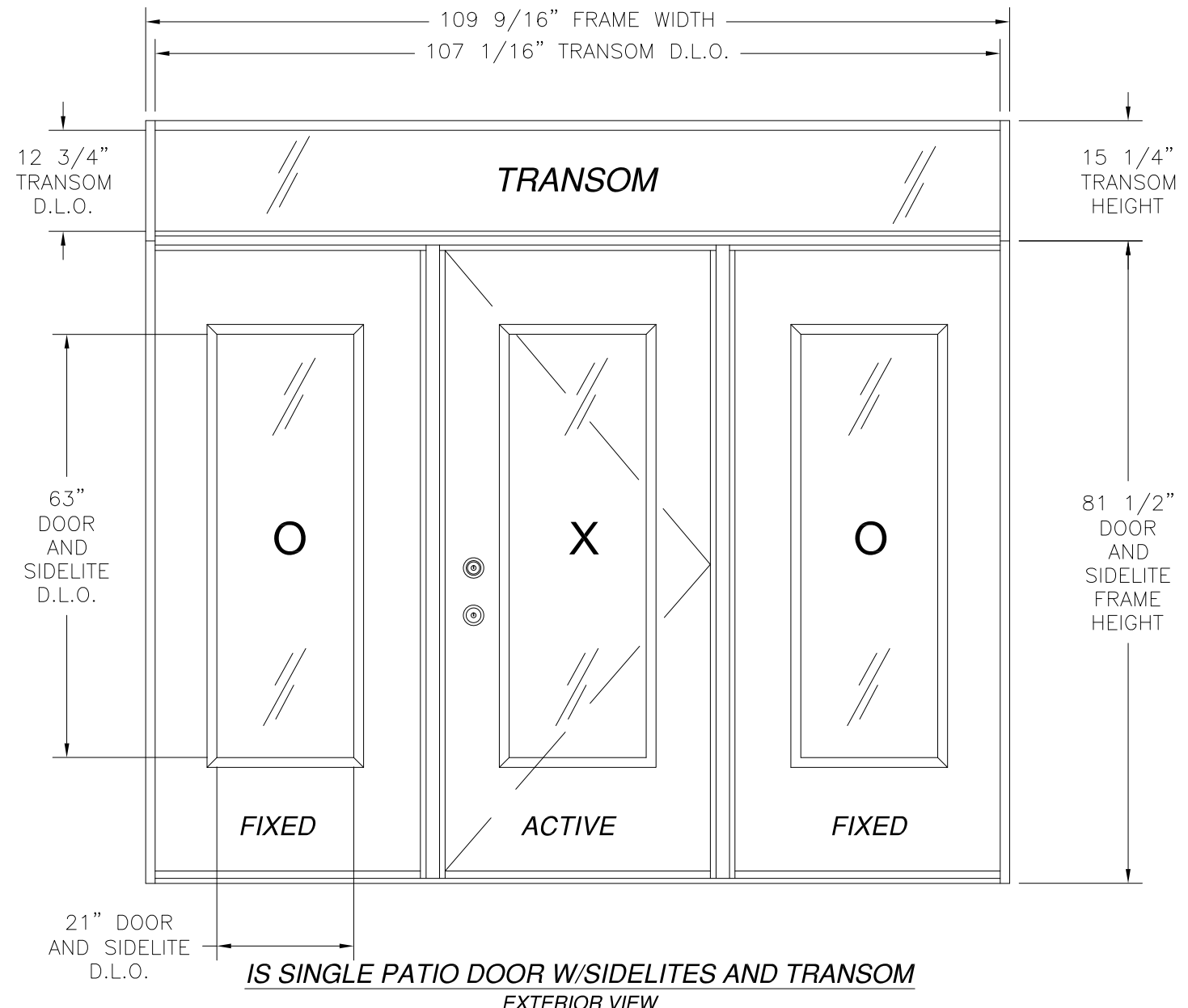
L. ROBERTO LOMAS P.E.
1432 WOODFORD RD LEWISVILLE, NC 27023
434-688-0609 rllomas@rlomaspe.com

SIGNED: 08/26/2021



Luis R. Lomas P.E.
FL No.: 62514

REVISIONS			
REV	DESCRIPTION	DATE	APPROVED
J	ADDED GLAZED FIR TRIMS	08/26/2021	R.L.



IS SINGLE PATIO DOOR W/SIDELITES AND TRANSOM
EXTERIOR VIEW

DESIGN PRESSURE RATING	IMPACT RATING
+45.0/-50.0PSF	NONE

FOR ADDITIONAL APPROVED CONFIGURATIONS SEE SHEET 3.
35 3/4" x 78 15/16" PANEL SIZE SHOWN. OTHER SIZES ARE APPROVED
AS LONG AS INDIVIDUAL PANEL AREA DOES NOT EXCEED 19.59 FT²

HARDWARE SCHEDULE
A. F-SERIES LOCK ASSEMBLY DOOR KNOB BY SCHLAGE.
B. B-SERIES DEADBOLT ASSEMBLY BY SCHLAGE.
C. F-SERIES DEADBOLT ASSEMBLY BY SCHLAGE.
D. RESIDENTIAL GRADE DOOR HANDLE ASSEMBLY BY EMTEK (ALTERNATE).
E. MULTI-POINT LOCK HANDLE ASSEMBLY BY TRILENNIUM (ALTERNATE).
F. (3) 4" x 4" BALL BEARING HINGES BY PENROD.
G. (3) 4" x 4" SPRING BOMMER HINGES BY PENROD.
H. (2) EXTRUDED ALUMINUM MULLION BY PROVIA DOOR, INC.

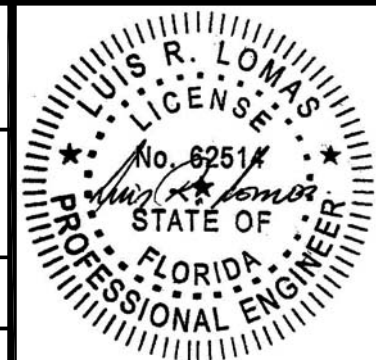
PROVIA, LLC.
2150 STATE ROUTE 39 WEST
SUGARCREEK, OH 44681

STEEL/FIBERGLASS INSWING GLAZED PATIO DOOR
W/SIDELITES & TRANSOM NON-IMPACT
ELEVATION

DRAWN: V.L.	DWG NO. 08-02108	REV J
SCALE NTS	DATE 07/01/13	SHEET 2 OF 13

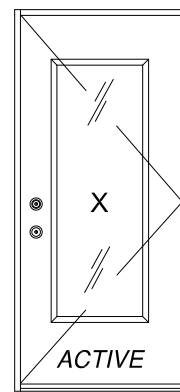
L. ROBERTO LOMAS P.E.
1432 WOODFORD RD LEWISVILLE, NC 27023
434-688-0609 rllomas@rlomaspe.com

SIGNED: 08/26/2021

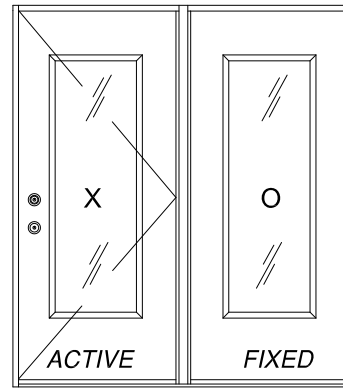


Luis R. Lomas P.E.
FL No.: 62514

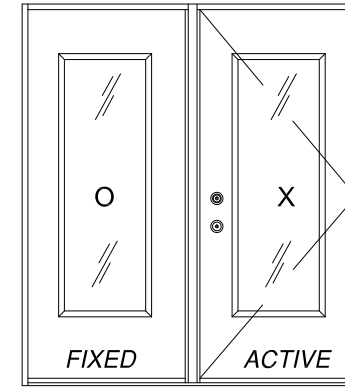
REVISIONS			
REV	DESCRIPTION	DATE	APPROVED
J	ADDED GLAZED FIR TRIMS	08/26/2021	R.L.



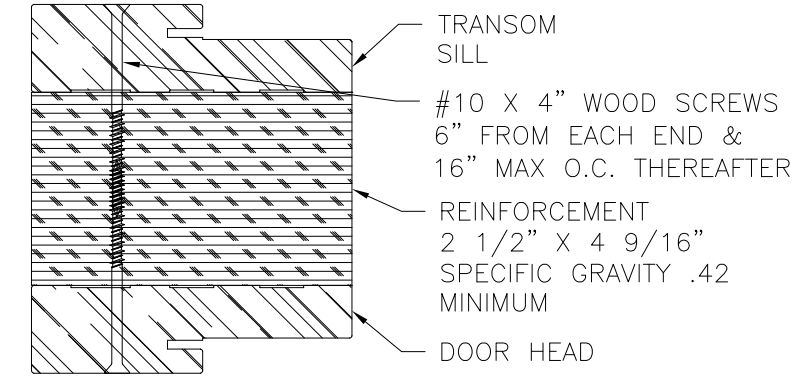
SINGLE



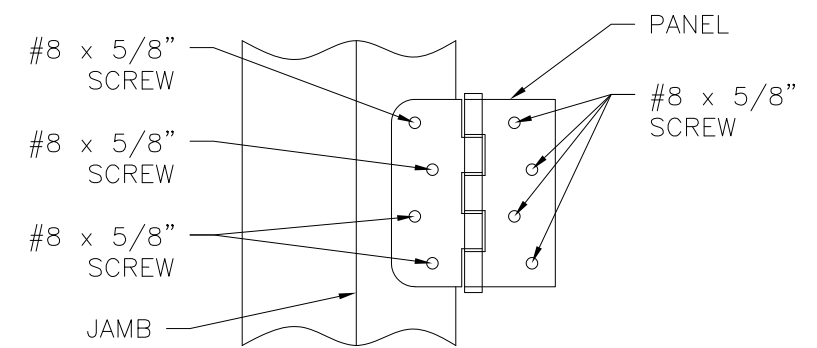
SINGLE W/SIDELITE



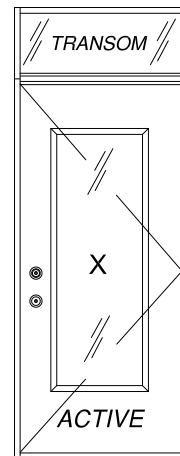
SINGLE W/SIDELITE



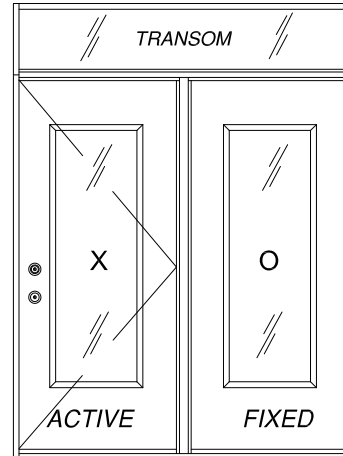
HORIZONTAL MULLION DETAIL
STANDARD FRAME SHOWN,
COMPOSITE AND FUSION FRAME SIMILAR



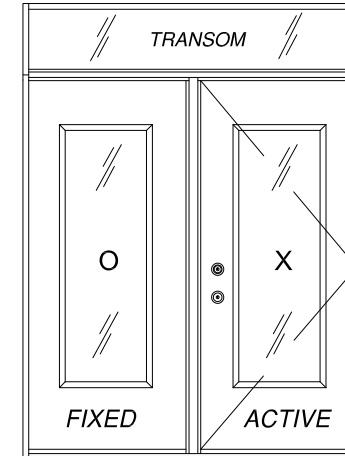
HINGE INSTALLATION DETAIL



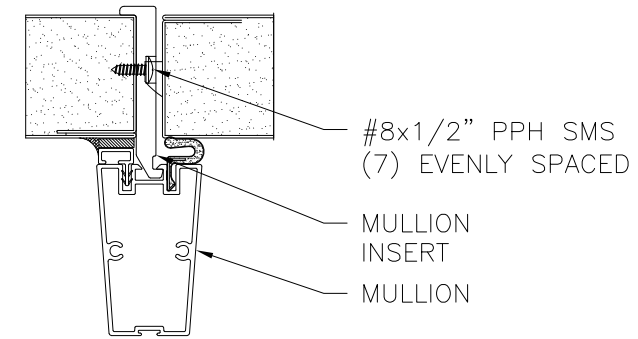
SINGLE W/TRANSOM



SINGLE W/SIDELITE & TRANSOM

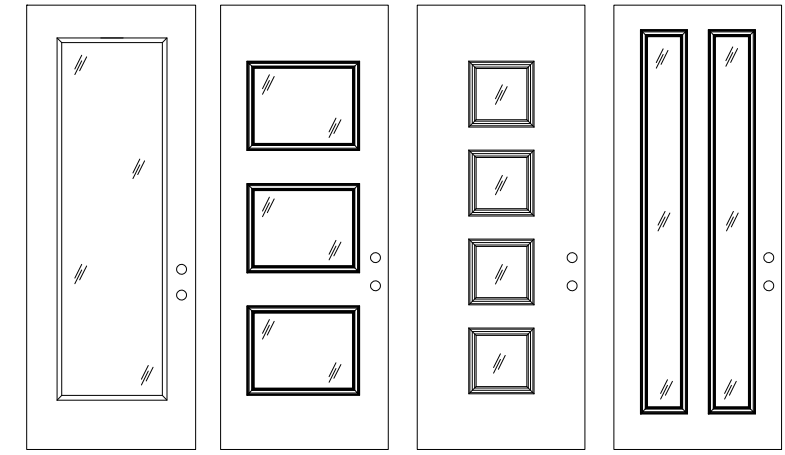


SINGLE W/SIDELITE & TRANSOM



VERTICAL MULLION DETAIL

APPROVED LITE CONFIGURATIONS



FULL LITE 3 LITE 4 LITE 2 LITE

LITE CONFIGURATIONS SHOWN ARE FOR REFERENCE ONLY. MULTIPLE LITE CONFIGURATIONS ARE APPROVED AS LONG AS LITE SIZE DOES NOT EXCEED 9.2 FT²

NOTE:
ALL APPROVED CONFIGURATIONS ARE SHOWN AS RIGHT HAND ACTIVE, LEFT HAND ACTIVE IS ALSO APPROVED.

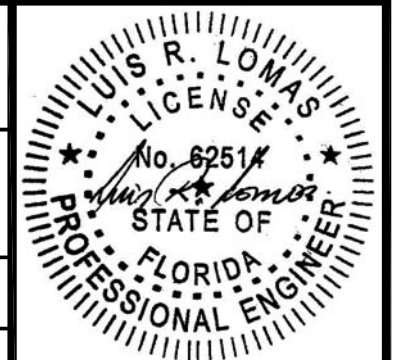
SIGNED: 08/26/2021

PROVIA, LLC.
2150 STATE ROUTE 39 WEST
SUGARCREEK, OH 44681

STEEL/FIBERGLASS INSWING GLAZED PATIO DOOR
W/SIDELITES & TRANSOM NON-IMPACT
APPROVED CONFIGURATIONS & COMPONENTS DETAILS

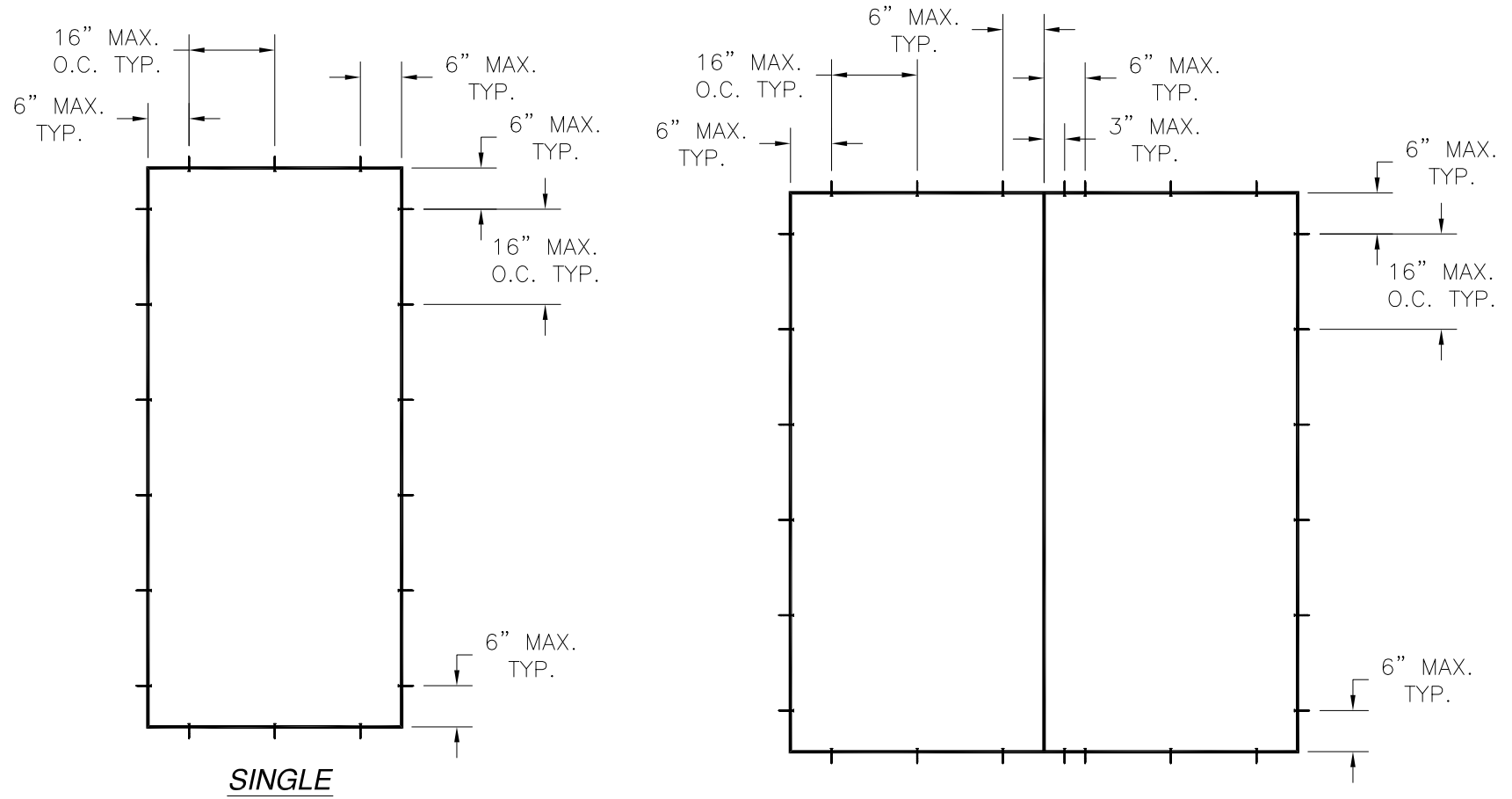
DRAWN: V.L.	DWG NO. 08-02108	REV J
SCALE NTS	DATE 07/01/13	SHEET 3 OF 13

L. ROBERTO LOMAS P.E.
1432 WOODFORD RD LEWISVILLE, NC 27023
434-688-0609 rllomas@rlomaspe.com



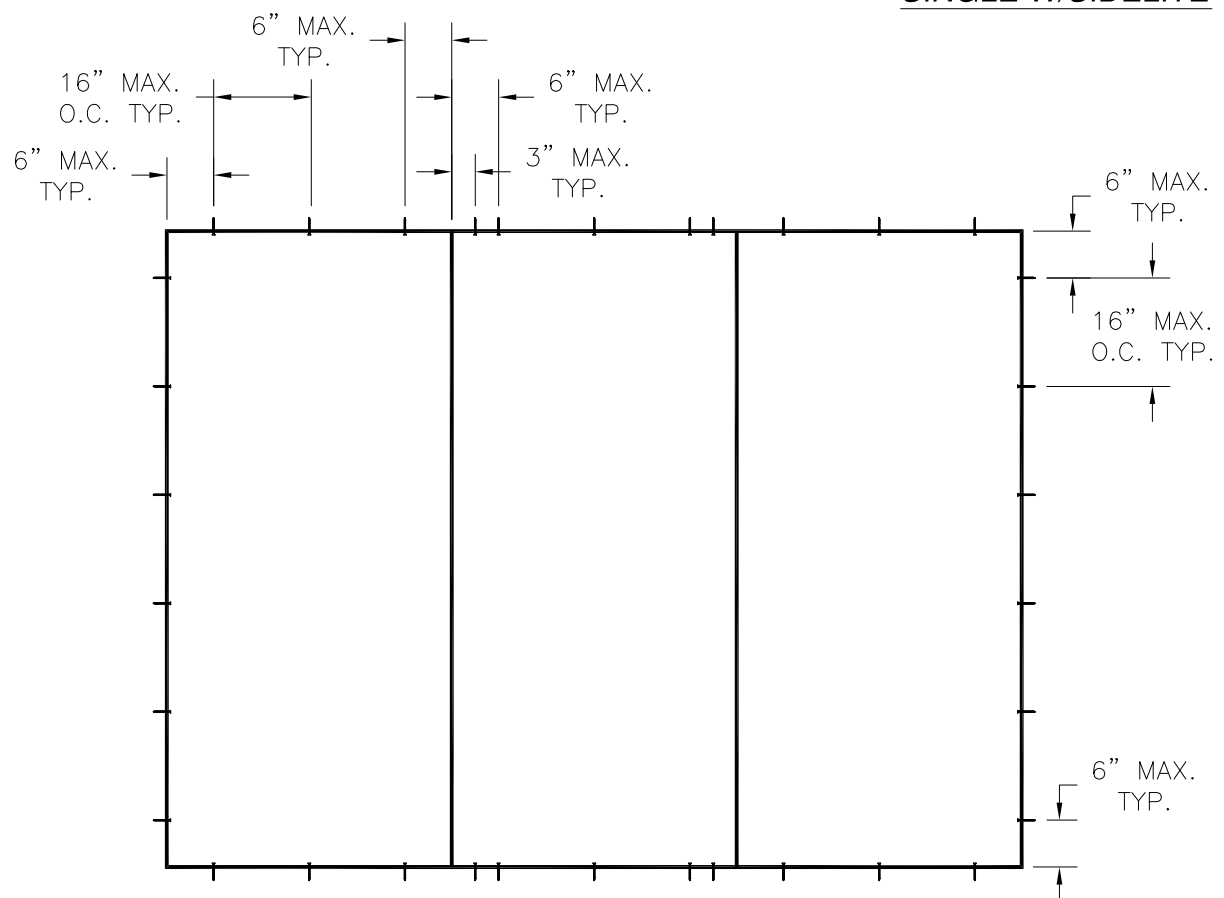
Luis R. Lomas P.E.
FL No.: 62514

REVISIONS			
REV	DESCRIPTION	DATE	APPROVED
J	ADDED GLAZED FIR TRIMS	08/26/2021	R.L.



SINGLE

SINGLE W/SIDELITE



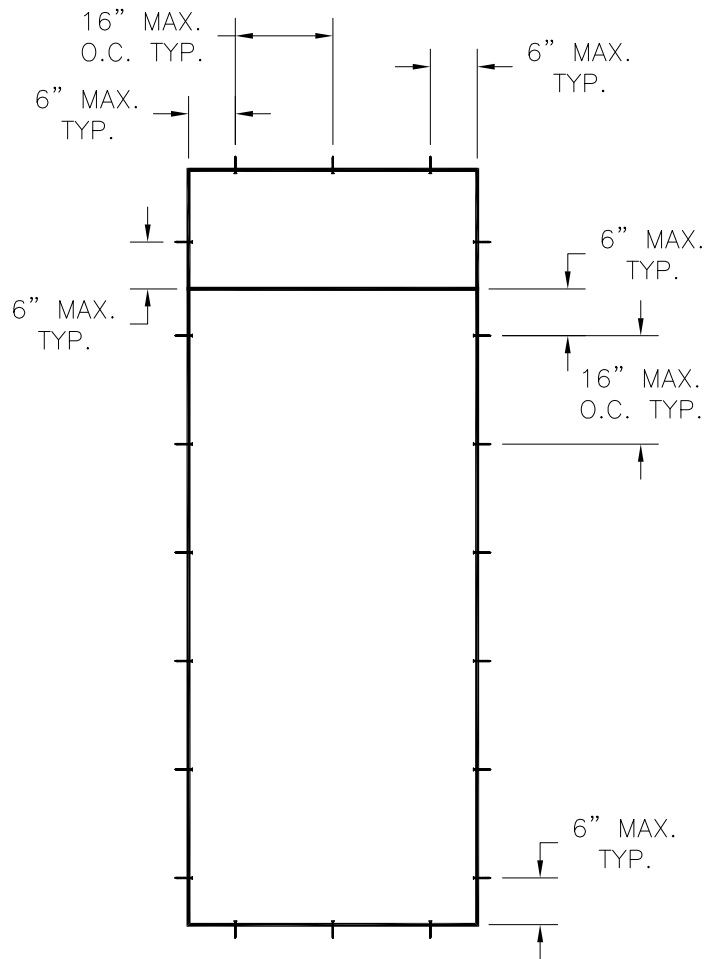
SINGLE W/SIDELITES

SIGNED: 08/26/2021

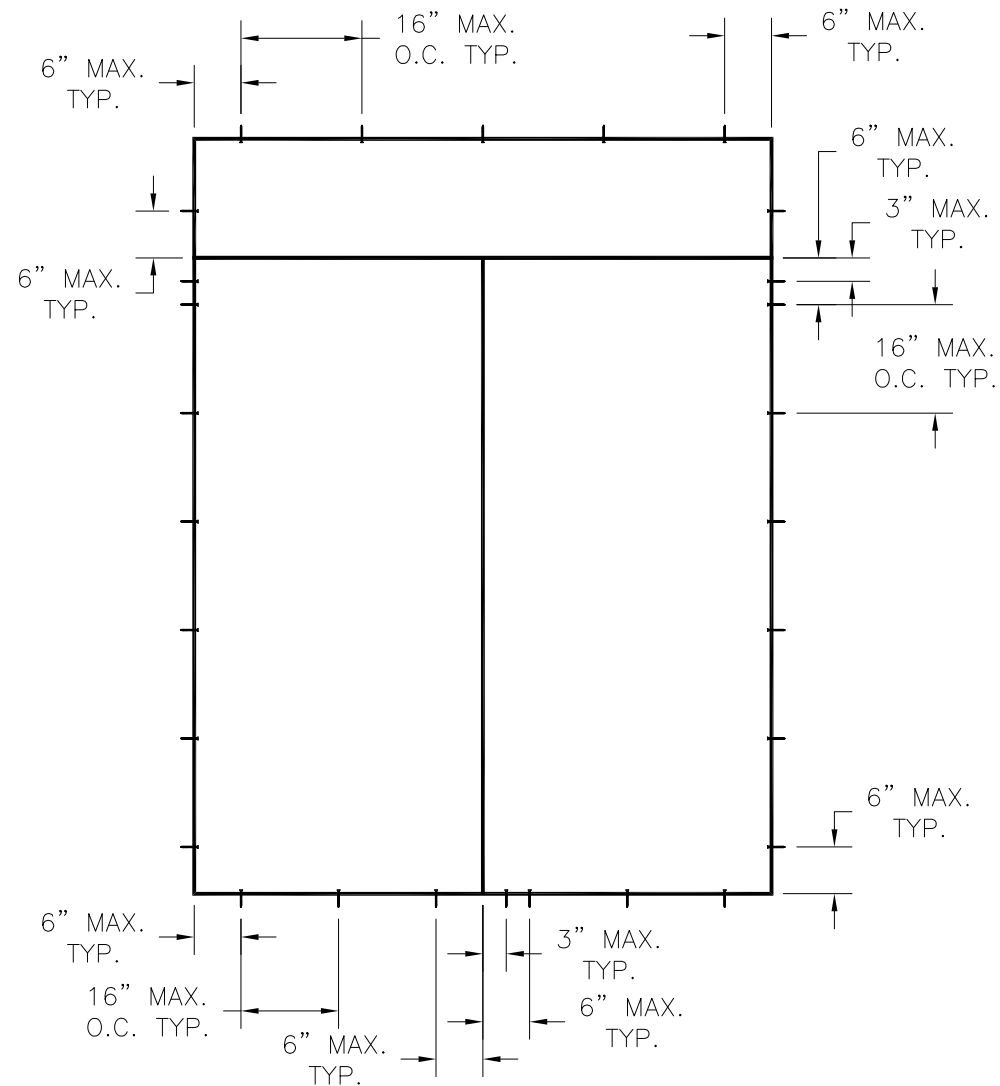
PROVIA, LLC. 2150 STATE ROUTE 39 WEST SUGARCREEK, OH 44681		
STEEL/FIBERGLASS INSWING GLAZED PATIO DOOR W/SIDELITES & TRANSOM NON-IMPACT ANCHORING LAYOUTS		
DRAWN: V.L.	DWG NO. 08-02108	REV J
SCALE NTS	DATE 07/01/13	SHEET 4 OF 13
L. ROBERTO LOMAS P.E. 1432 WOODFORD RD LEWISVILLE, NC 27023 434-688-0609 rllomas@rlomaspe.com		

Luis R. Lomas P.E.
FL No.: 62514

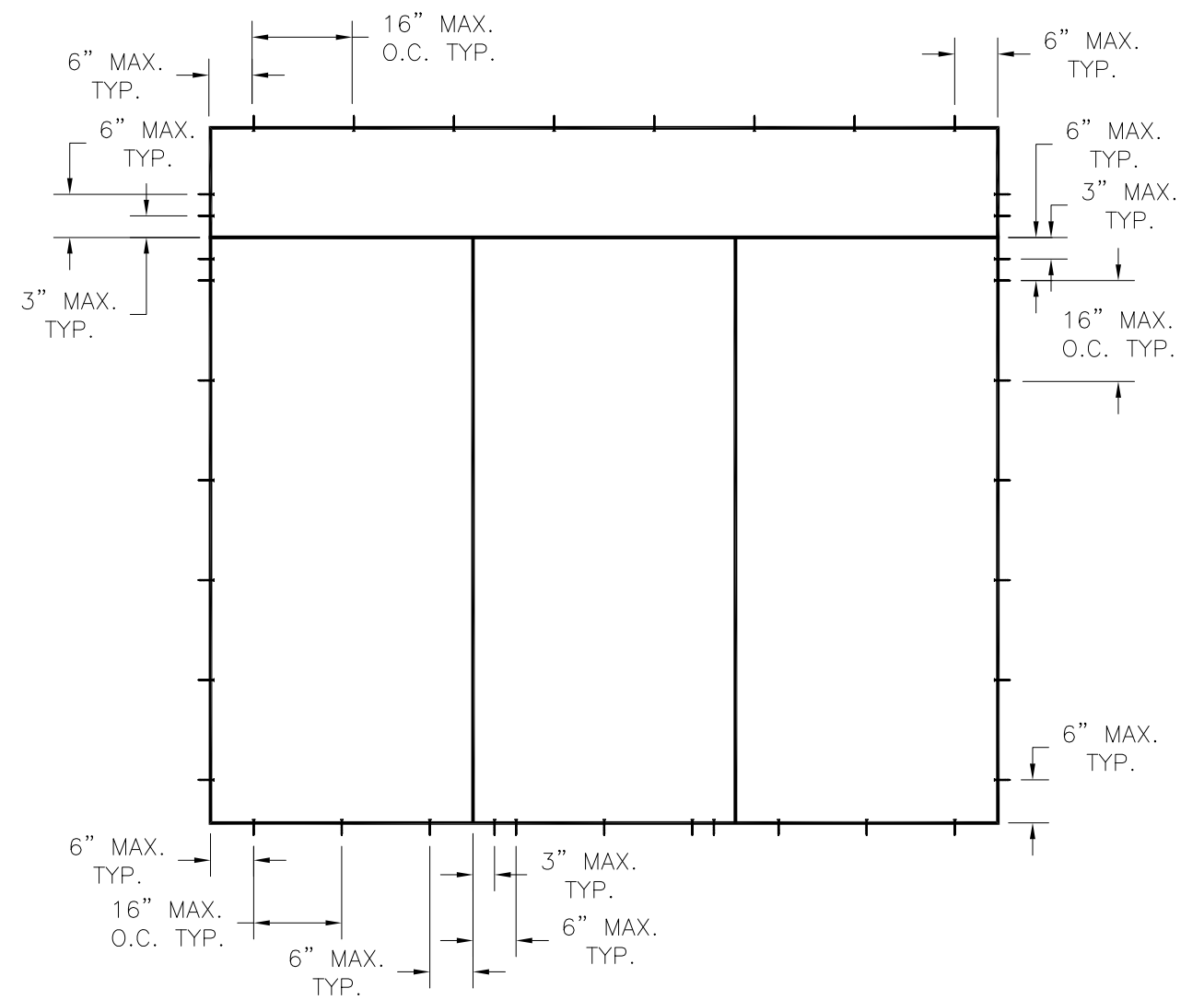
REVISIONS			
REV	DESCRIPTION	DATE	APPROVED
J	ADDED GLAZED FIR TRIMS	08/26/2021	R.L.



SINGLE WITH TRANSOM



SINGLE W/SIDELITE & TRANSOM



SINGLE W/SIDELITES & TRANSOM

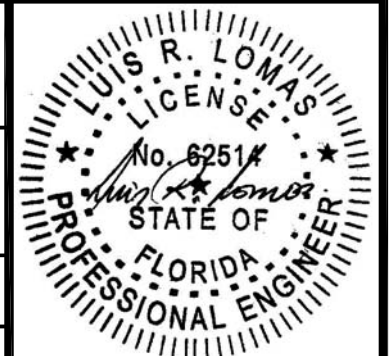
SIGNED: 08/26/2021

PROVIA, LLC.
 2150 STATE ROUTE 39 WEST
 SUGARCREEK, OH 44681

STEEL/FIBERGLASS INSWING GLAZED PATIO DOOR
 W/SIDELITES & TRANSOM NON-IMPACT
 ANCHORING LAYOUTS

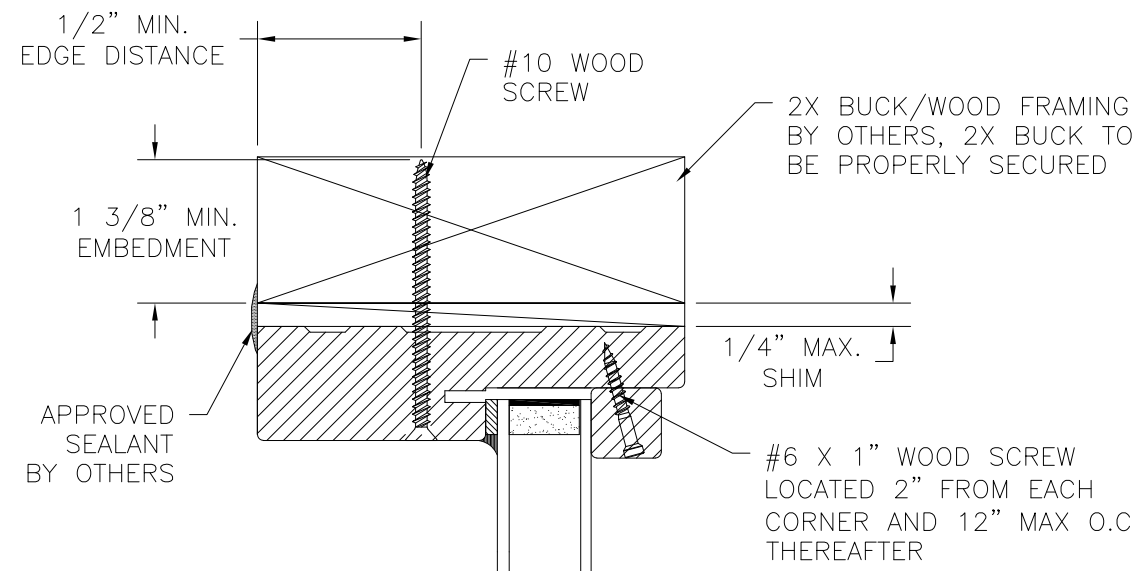
DRAWN: V.L.	DWG NO. 08-02108	REV J
SCALE NTS	DATE 07/01/13	SHEET 5 OF 13

L. ROBERTO LOMAS P.E.
 1432 WOODFORD RD LEWISVILLE, NC 27023
 434-688-0609 rllomas@rlomaspe.com

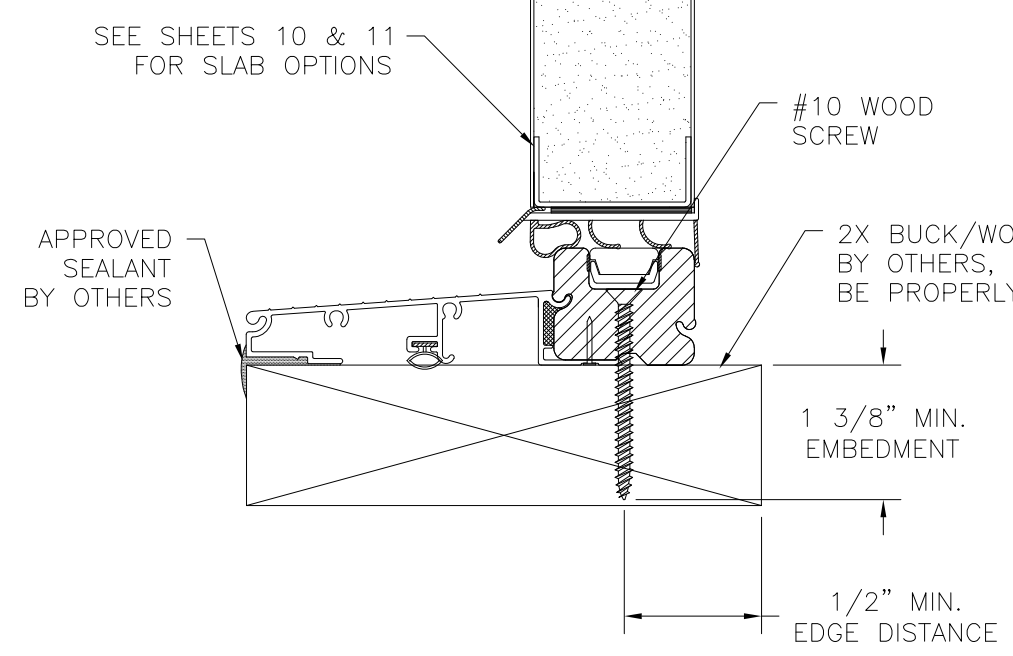


Luis R. Lomas P.E.
 FL No.: 62514

REVISIONS			
REV	DESCRIPTION	DATE	APPROVED
J	ADDED GLAZED FIR TRIMS	08/26/2021	R.L.

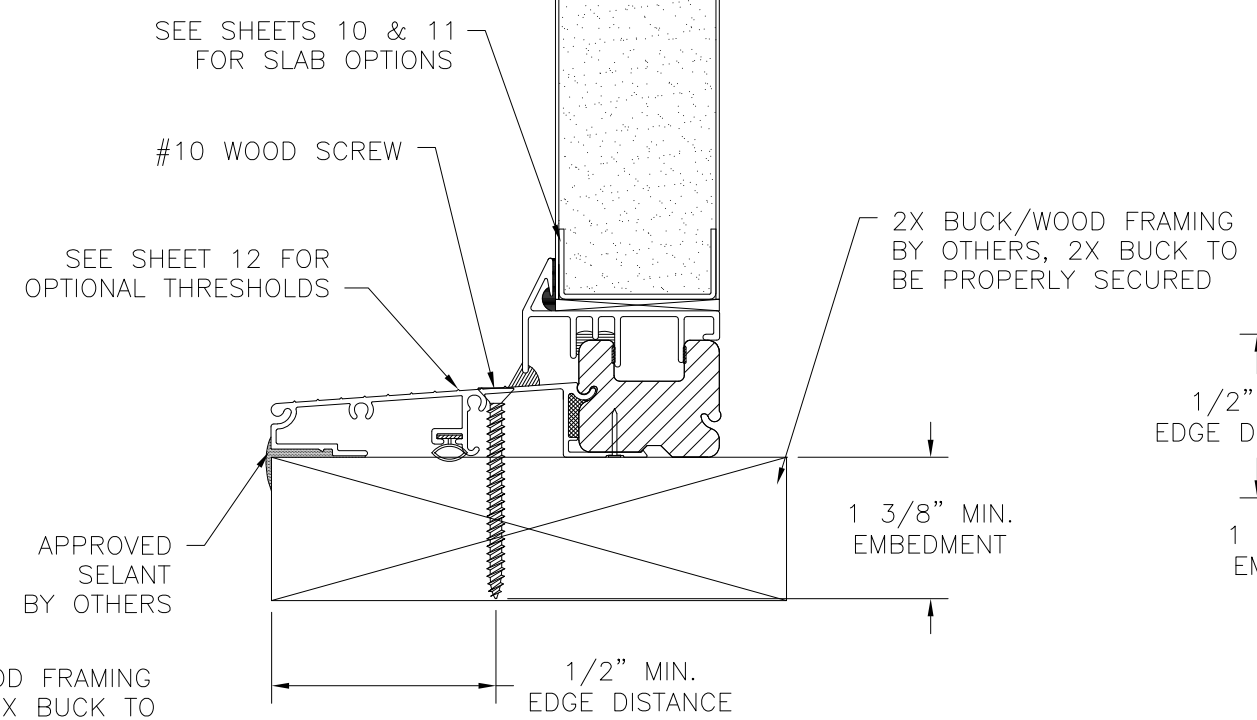


EXTERIOR INTERIOR

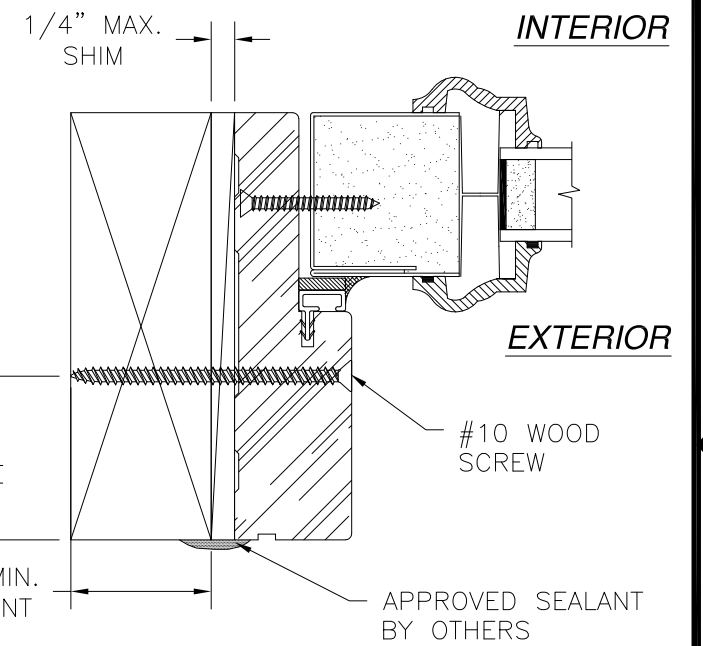


VERTICAL CROSS SECTION
 DOOR AND TRANSOM INSTALLATION - 2X BUCK/WOOD FRAMING
 TRANSOM HEAD SHOWN
 TRANSOM JAMB SIMILAR

EXTERIOR INTERIOR



SIDELITE SILL DETAIL
 2X BUCK/WOOD FRAMING INSTALLATION



JAMB DETAIL
 2X BUCK/WOOD FRAMING INSTALLATION
 SIDELITE JAMB SHOWN, HINGE AND STRIKE
 JAMB AND HEAD SIMILAR

- NOTES:**
- INTERIOR AND EXTERIOR FINISHES, BY OTHERS, NOT SHOWN FOR CLARITY.
 - PERIMETER AND JOINT SEALANT BY OTHERS TO BE DESIGNED IN ACCORDANCE WITH ASTM E2112

SIGNED: 08/26/2021

PROVIA, LLC.
 2150 STATE ROUTE 39 WEST
 SUGARCREEK, OH 44681

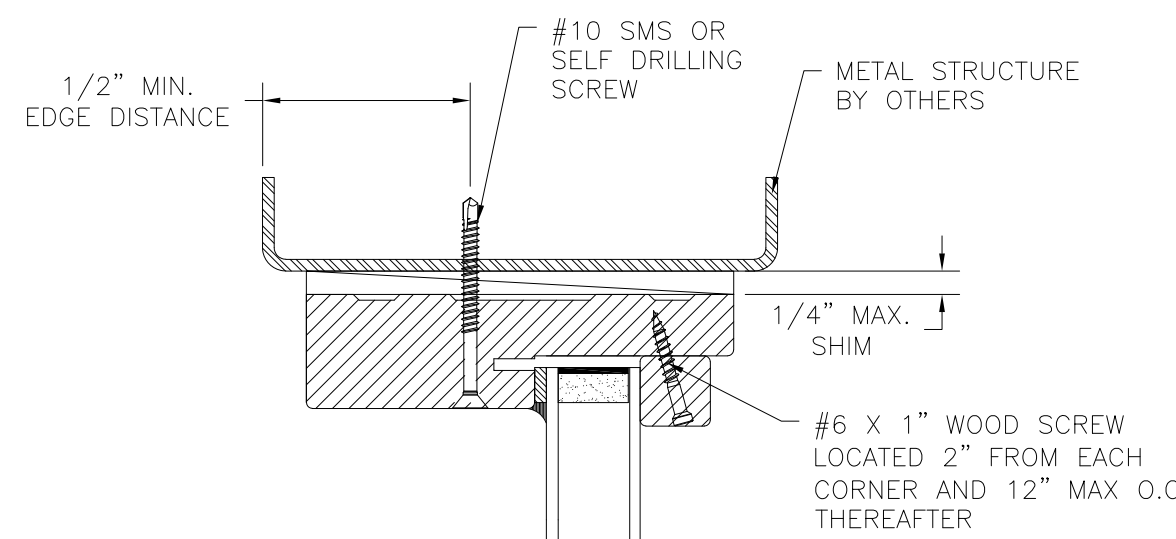
STEEL/FIBERGLASS INSWING GLAZED PATIO DOOR
 W/SIDELITES & TRANSOM NON-IMPACT
 INSTALLATION DETAILS

DRAWN: V.L.	DWG NO. 08-02108	REV J
SCALE NTS	DATE 07/01/13	SHEET 6 OF 13

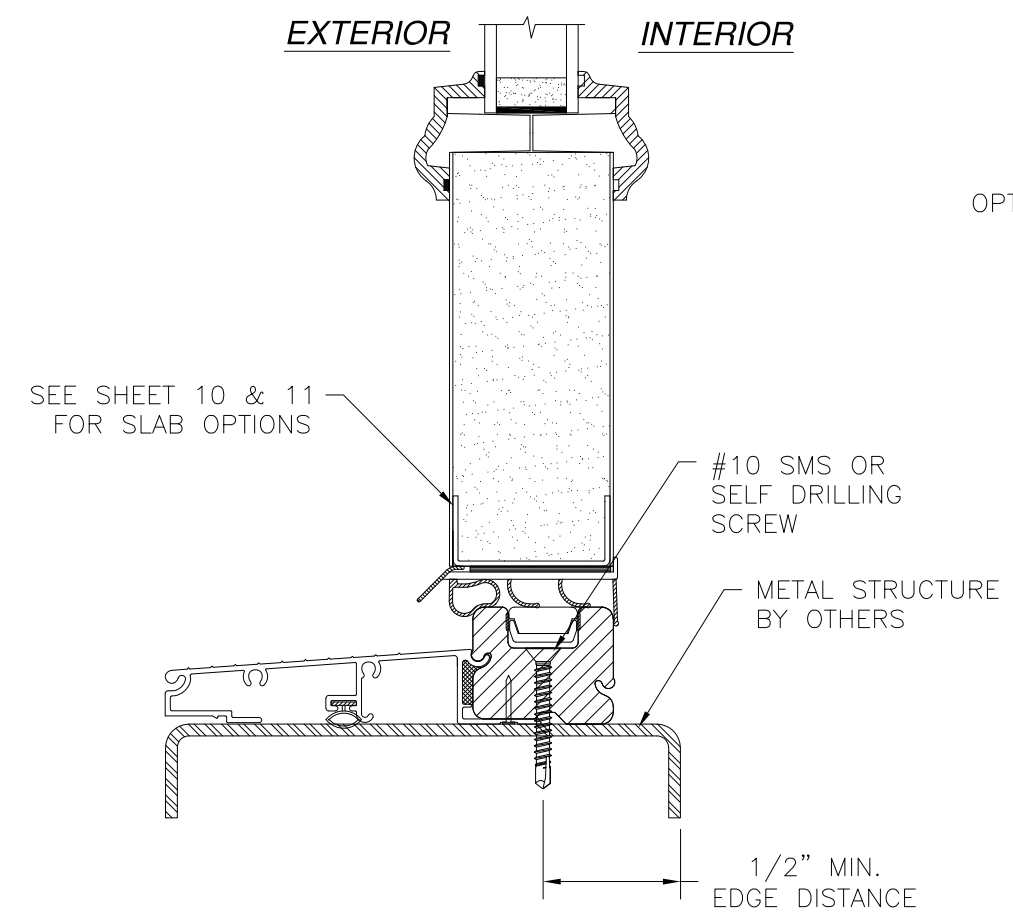
L. ROBERTO LOMAS P.E.
 1432 WOODFORD RD LEWISVILLE, NC 27023
 434-688-0609 rllomas@rlomaspe.com

Luis R. Lomas P.E.
 FL No.: 62514

REVISIONS			
REV	DESCRIPTION	DATE	APPROVED
J	ADDED GLAZED FIR TRIMS	08/26/2021	R.L.

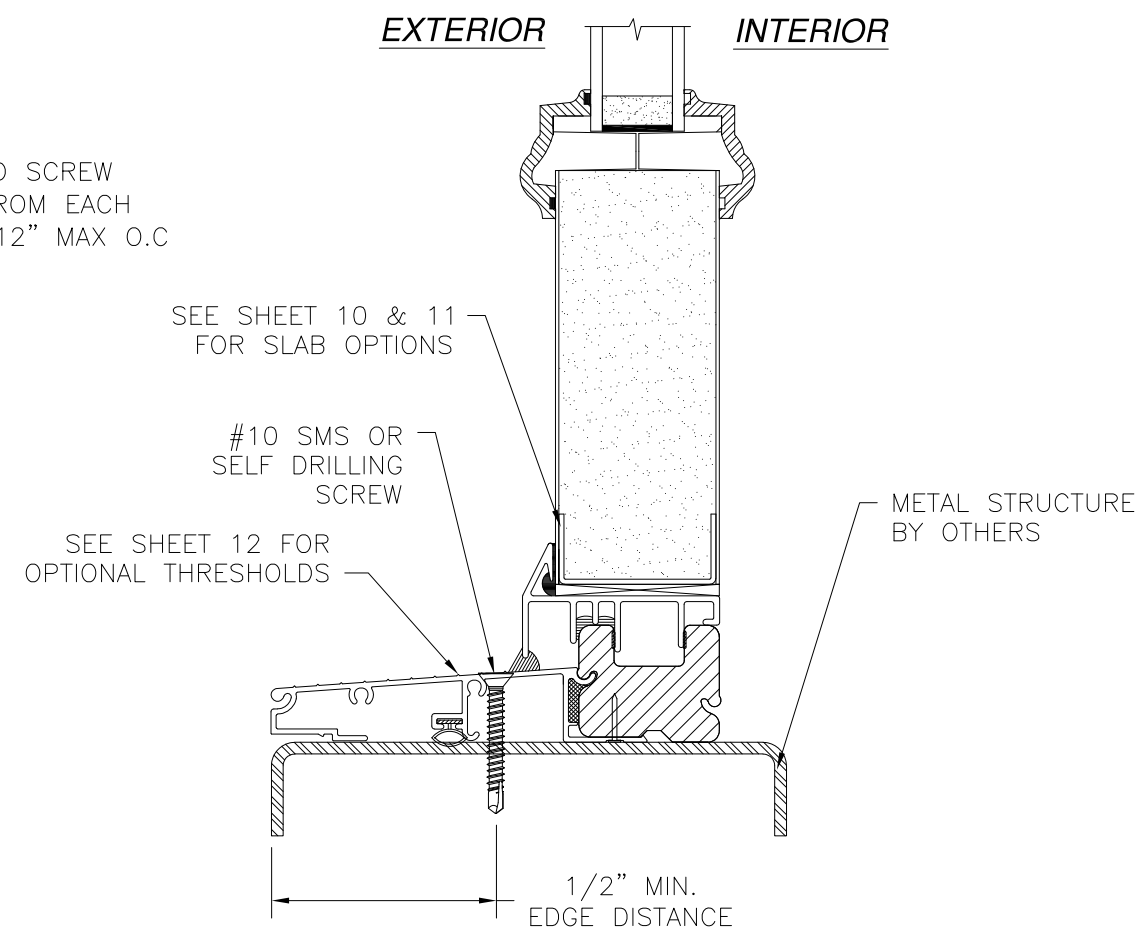


EXTERIOR INTERIOR

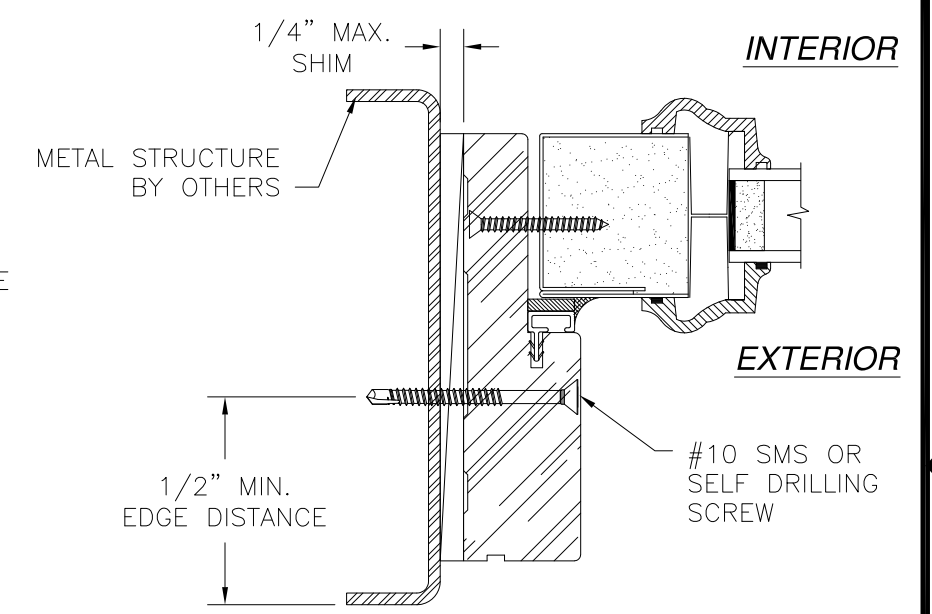


VERTICAL CROSS SECTION
 DOOR AND TRANSOM INSTALLATION - METAL STRUCTURE INSTALLATION
 TRANSOM HEAD SHOWN
 TRANSOM JAMB SIMILAR

EXTERIOR INTERIOR



SIDELITE SILL DETAIL
 METAL STRUCTURE INSTALLATION



JAMB DETAIL
 METAL STRUCTURE INSTALLATION
 SIDELITE JAMB SHOWN, HINGE AND STRIKE
 JAMB AND HEAD SIMILAR

- NOTES:**
1. INTERIOR AND EXTERIOR FINISHES, BY OTHERS, NOT SHOWN FOR CLARITY.
 2. PERIMETER AND JOINT SEALANT BY OTHERS TO BE DESIGNED IN ACCORDANCE WITH ASTM E2112

SIGNED: 08/26/2021

PROVIA, LLC.
 2150 STATE ROUTE 39 WEST
 SUGARCREEK, OH 44681

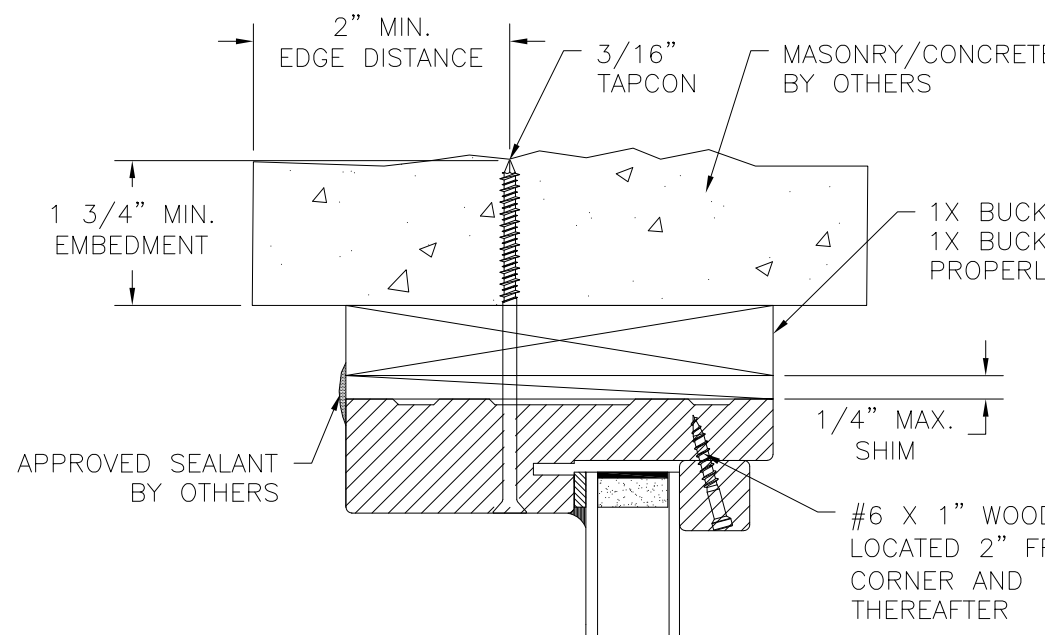
STEEL/FIBERGLASS INSWING GLAZED PATIO DOOR
 W/SIDELITES & TRANSOM NON-IMPACT
 INSTALLATION DETAILS

DRAWN: V.L.	DWG NO. 08-02108	REV J
SCALE NTS	DATE 07/01/13	SHEET 7 OF 13

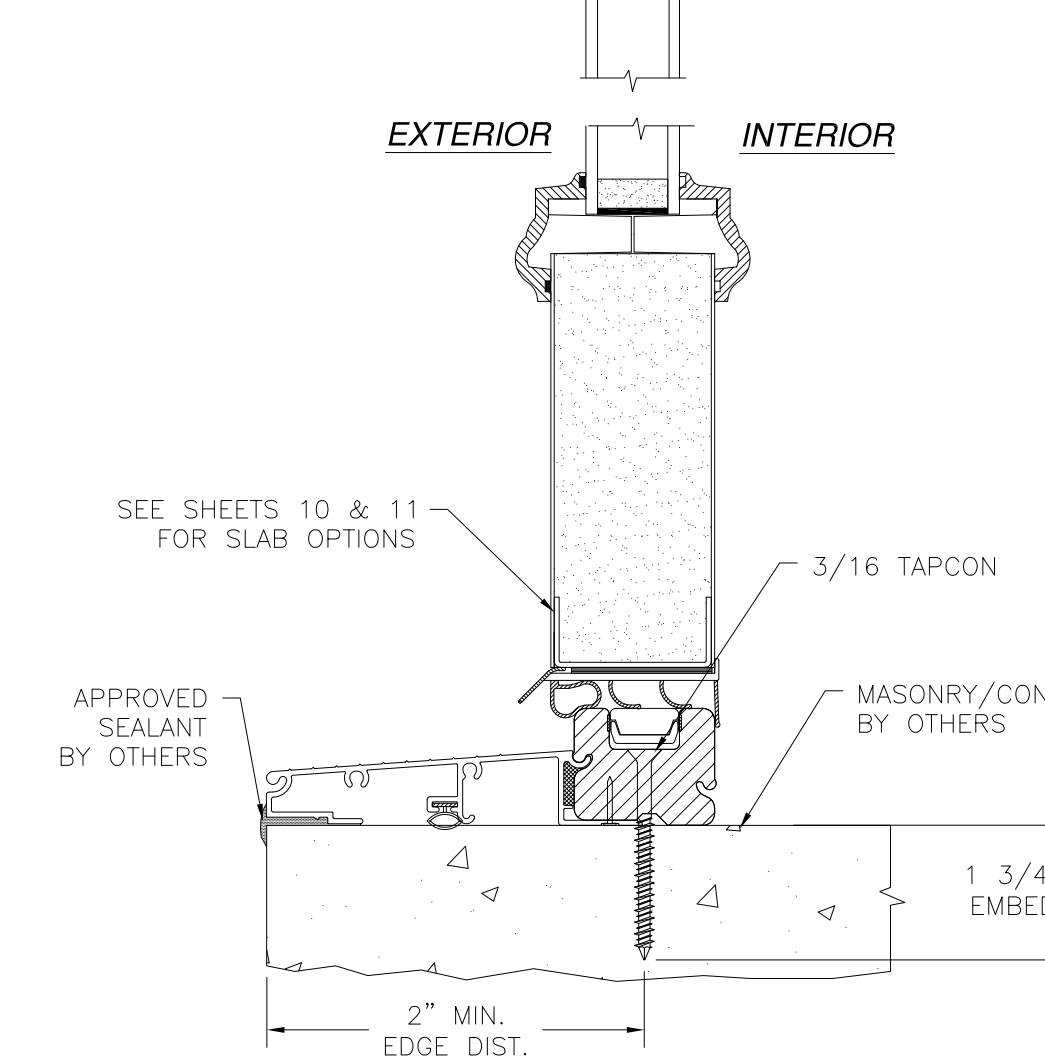
L. ROBERTO LOMAS P.E.
 1432 WOODFORD RD LEWISVILLE, NC 27023
 434-688-0609 rllomas@lrlomaspe.com

Luis R. Lomas P.E.
 FL No.: 62514

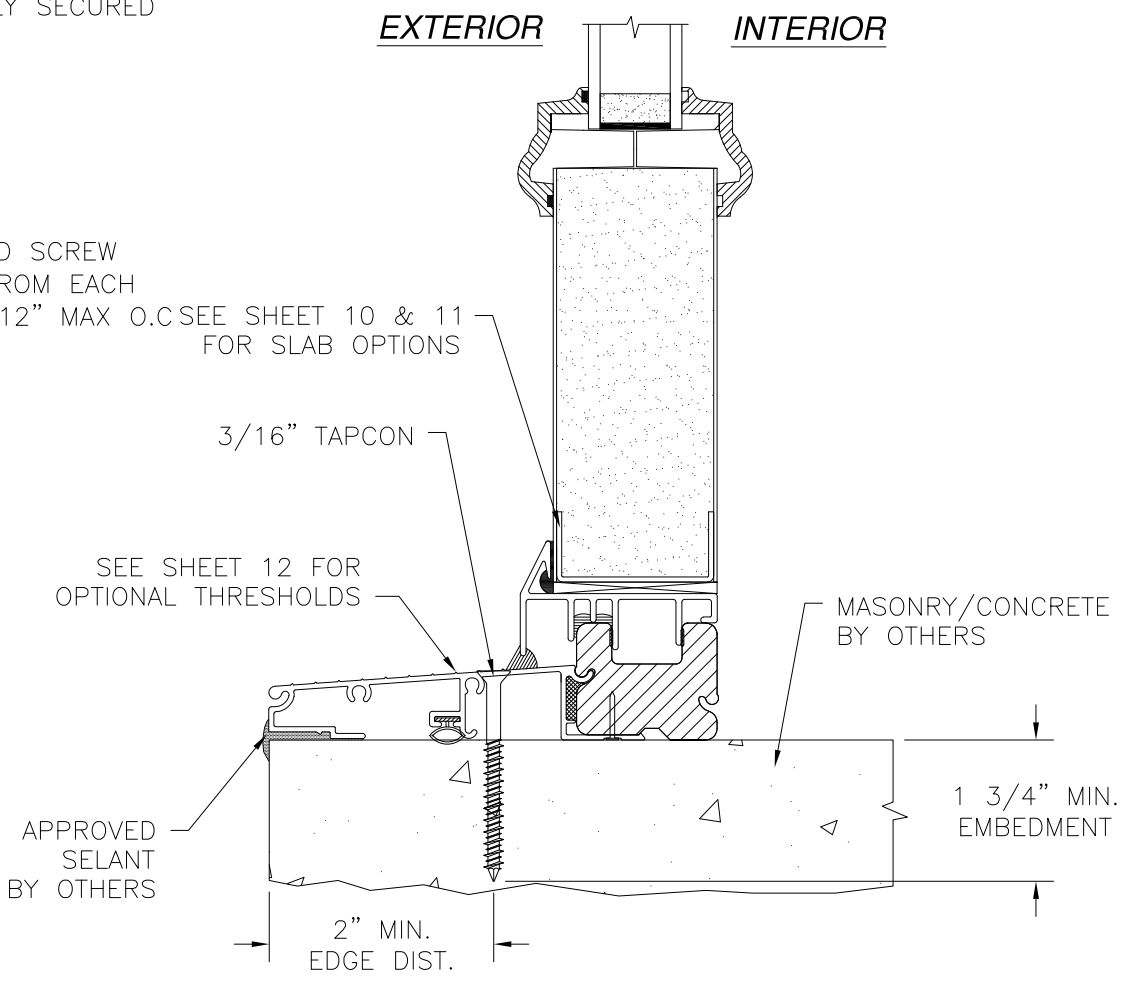
REVISIONS			
REV	DESCRIPTION	DATE	APPROVED
J	ADDED GLAZED FIR TRIMS	08/26/2021	R.L.



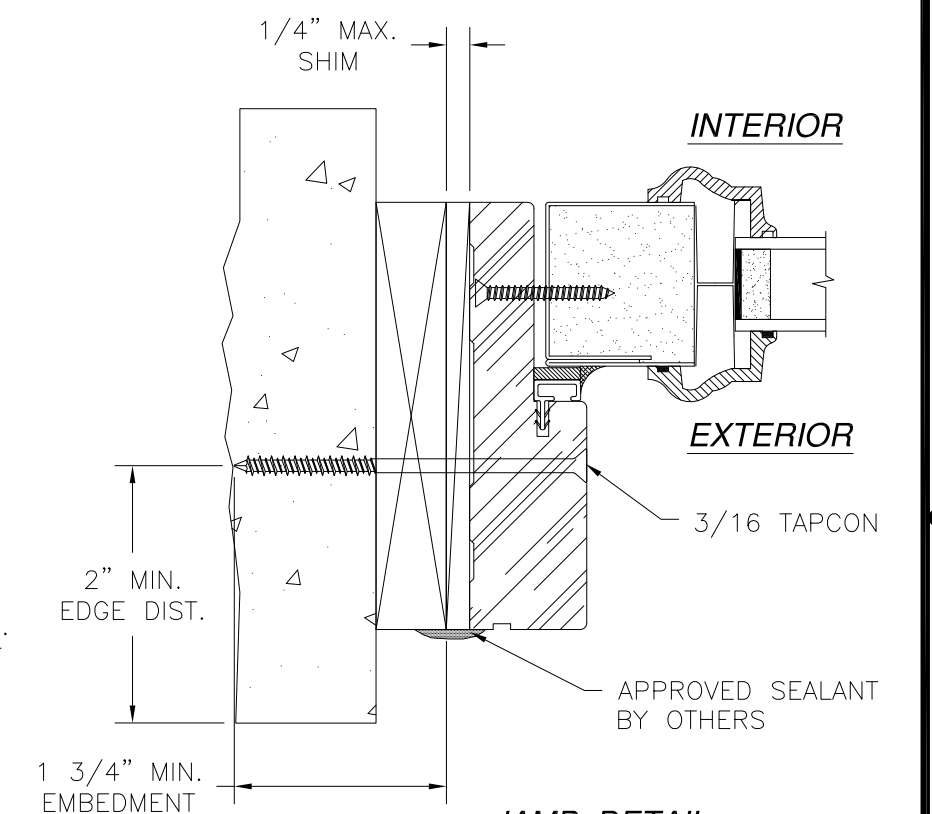
EXTERIOR INTERIOR



VERTICAL CROSS SECTION
DOOR AND TRANSOM INSTALLATION MASONRY/CONCRETE
TRANSOM HEAD SHOWN
TRANSOM JAMB SIMILAR



SIDELITE SILL DETAIL
MASONRY/CONCRETE INSTALLATION



JAMB DETAIL
MASONRY/CONCRETE INSTALLATION
SIDELITE JAMB SHOWN, HINGE AND STRIKE
JAMB AND HEAD SIMILAR

- NOTES:**
1. INTERIOR AND EXTERIOR FINISHES, BY OTHERS, NOT SHOWN FOR CLARITY.
 2. PERIMETER AND JOINT SEALANT BY OTHERS TO BE DESIGNED IN ACCORDANCE WITH ASTM E2112

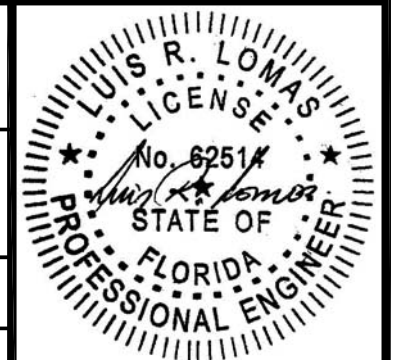
SIGNED: 08/26/2021

PROVIA, LLC.
2150 STATE ROUTE 39 WEST
SUGARCREEK, OH 44681

STEEL/FIBERGLASS INSWING GLAZED PATIO DOOR
W/SIDELITES & TRANSOM NON-IMPACT
INSTALLATION DETAILS

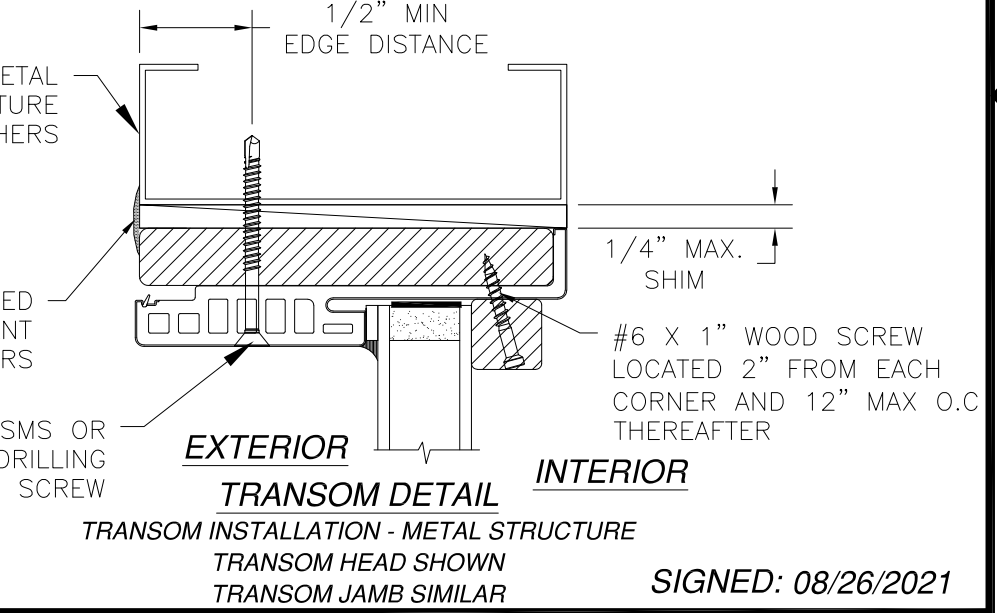
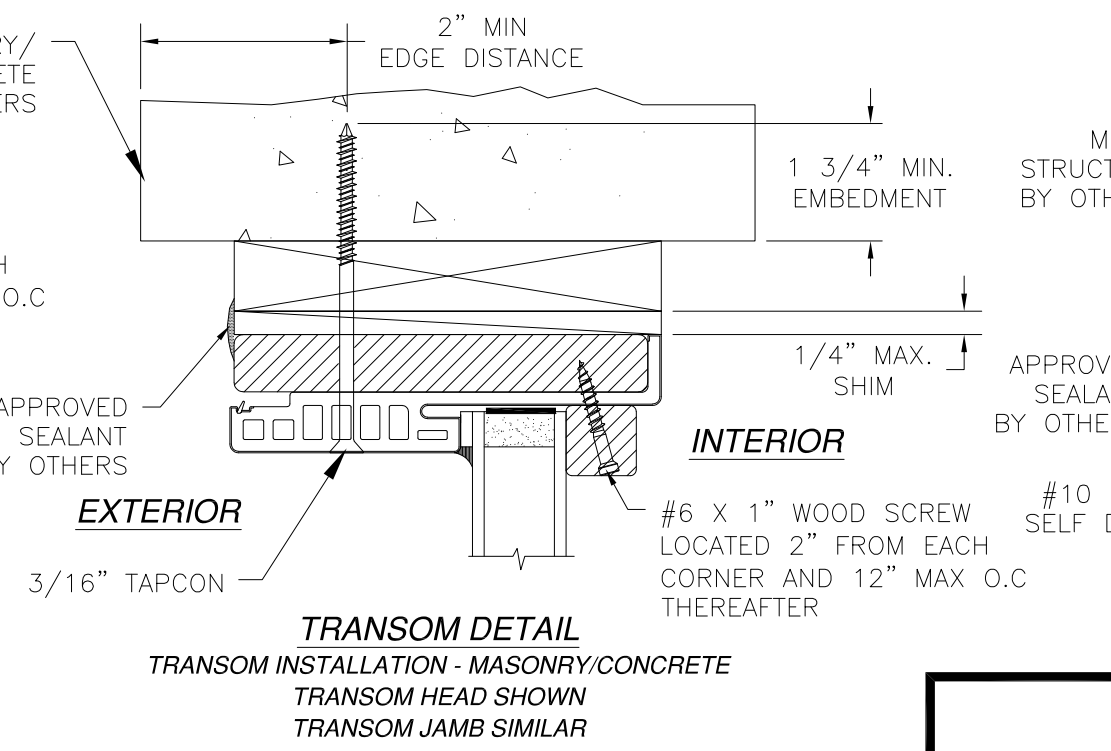
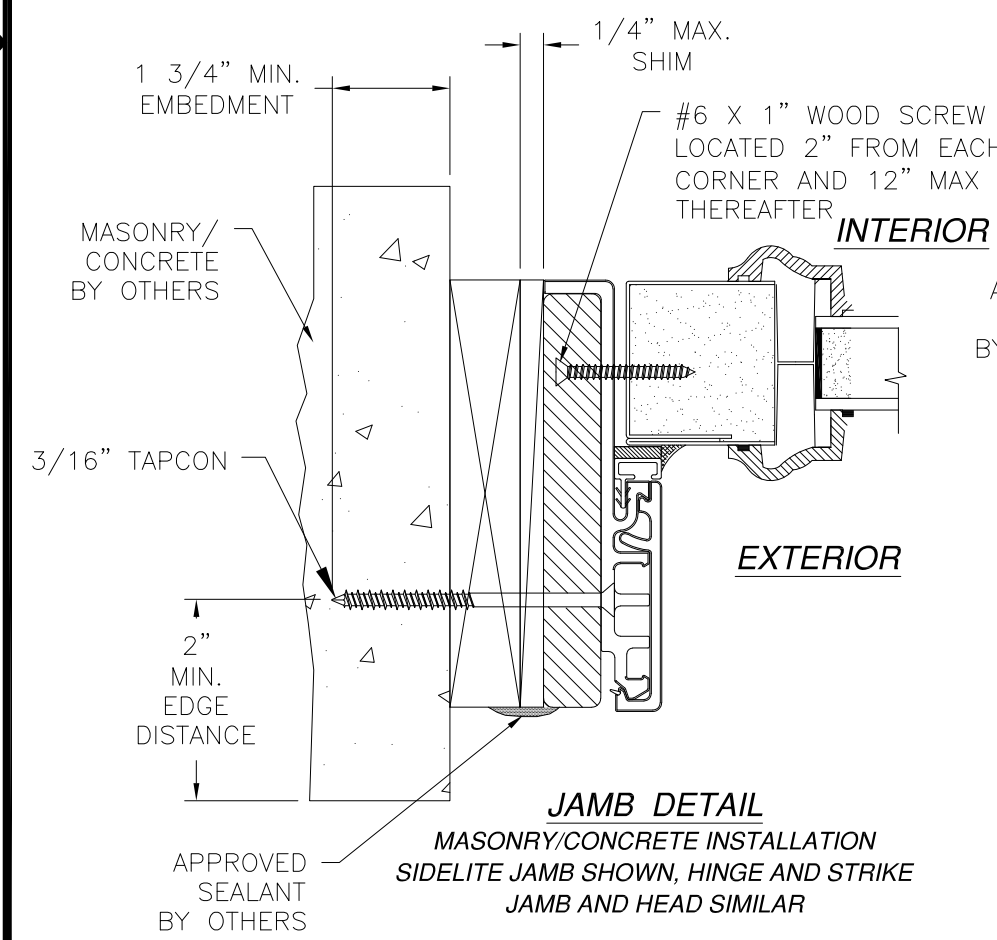
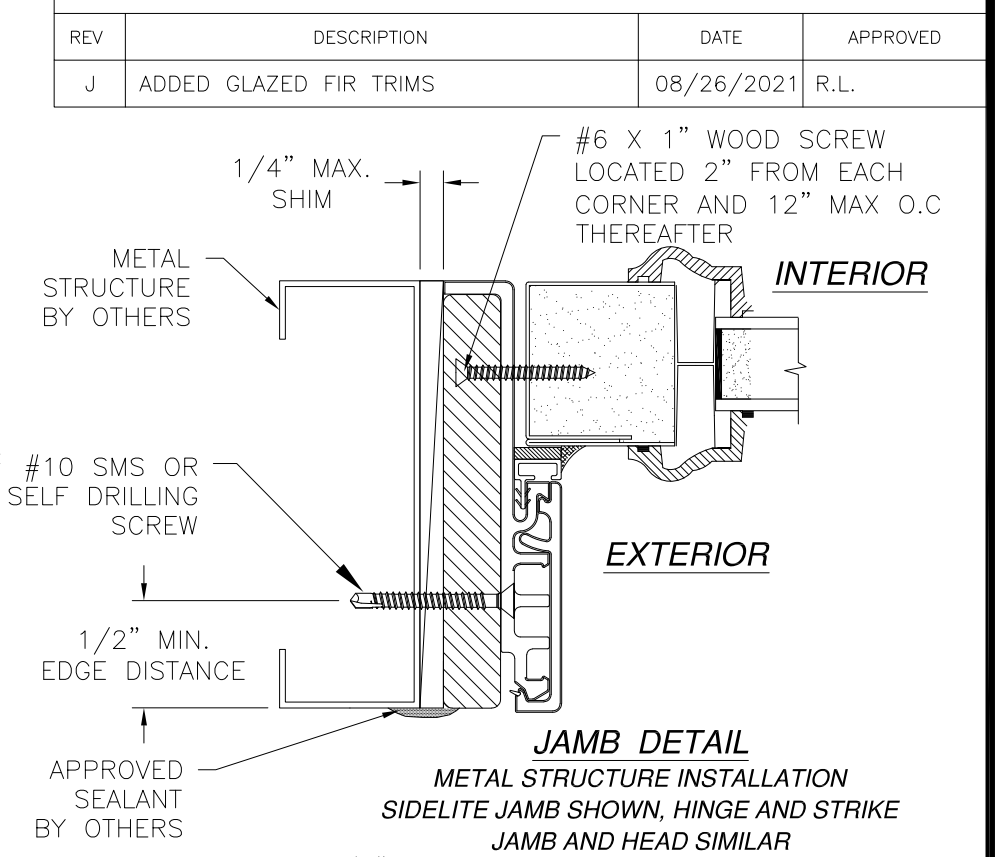
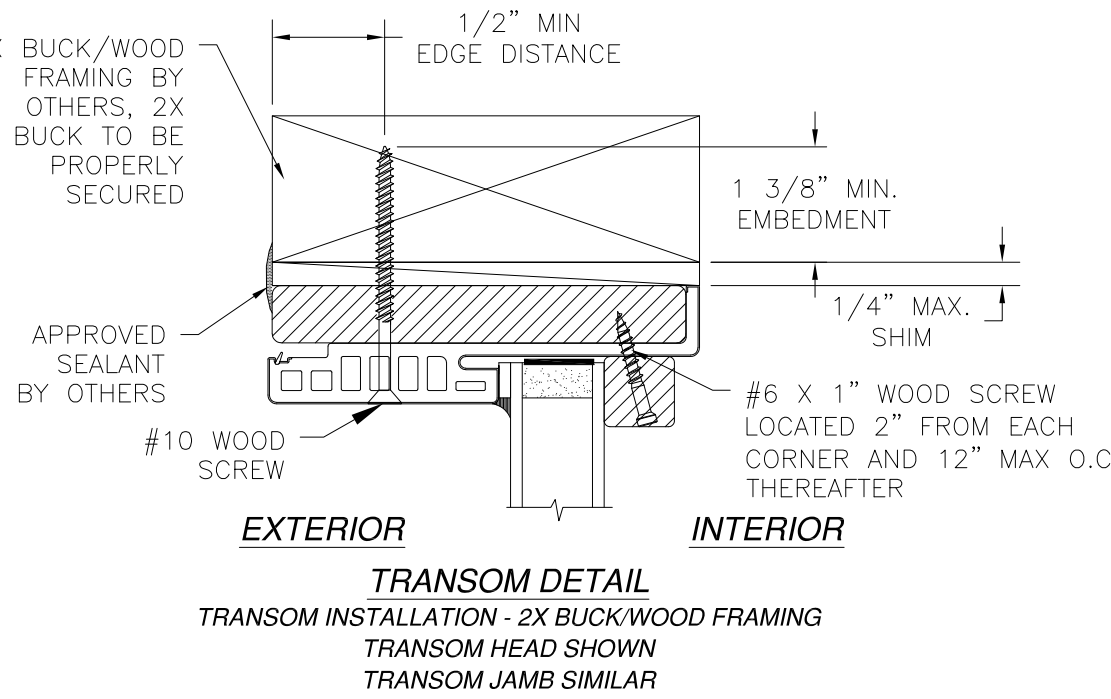
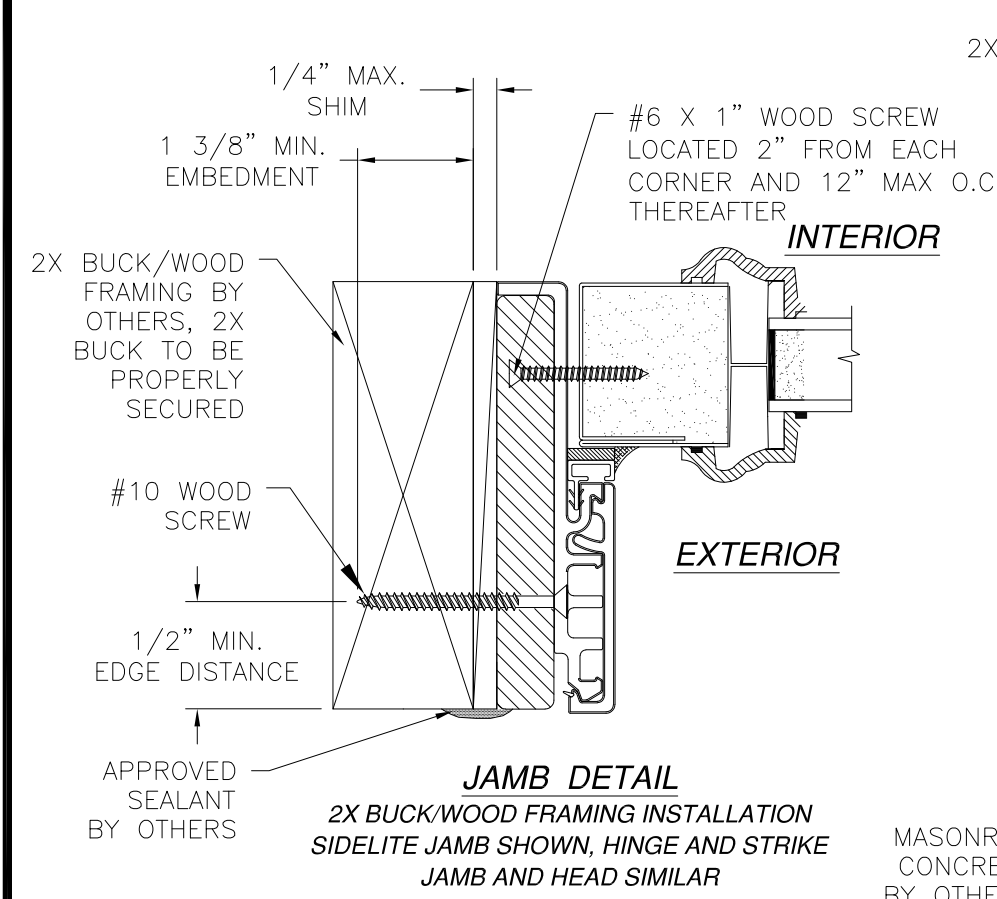
DRAWN:	DWG NO.	REV
V.L.	08-02108	J
SCALE NTS	DATE 07/01/13	SHEET 8 OF 13

L. ROBERTO LOMAS P.E.
1432 WOODFORD RD LEWISVILLE, NC 27023
434-688-0609 rllomas@rlomaspe.com



Luis R. Lomas P.E.
FL No.: 62514

REVISIONS			
REV	DESCRIPTION	DATE	APPROVED
J	ADDED GLAZED FIR TRIMS	08/26/2021	R.L.



- NOTES:**
1. INTERIOR AND EXTERIOR FINISHES, BY OTHERS, NOT SHOWN FOR CLARITY.
 2. PERIMETER AND JOINT SEALANT BY OTHERS TO BE DESIGNED IN ACCORDANCE WITH ASTM E2112

SIGNED: 08/26/2021

PROVIA, LLC.
2150 STATE ROUTE 39 WEST
SUGARCREEK, OH 44681

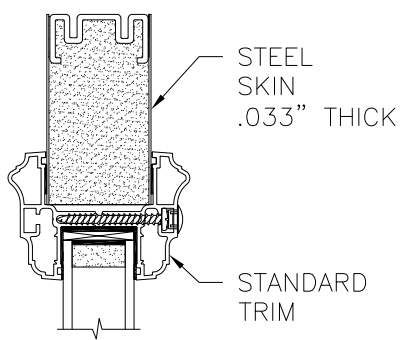
STEEL/FIBERGLASS INSWING GLAZED PATIO DOOR
W/SIDELITES & TRANSOM NON-IMPACT
INSTALLATION DETAILS W/FUSION FRAME

DRAWN: V.L.	DWG NO. 08-02108	REV J
SCALE NTS	DATE 07/01/13	SHEET 9 OF 13

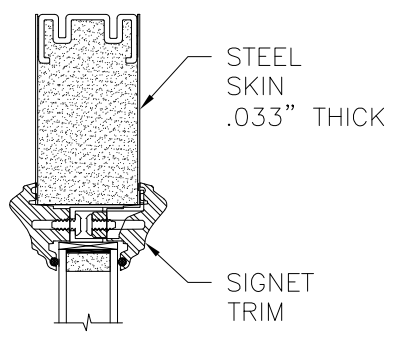
L. ROBERTO LOMAS P.E.
1432 WOODFORD RD LEWISVILLE, NC 27023
434-688-0609 rllomas@rlomaspe.com

Luis R. Lomas P.E.
FL No.: 62514

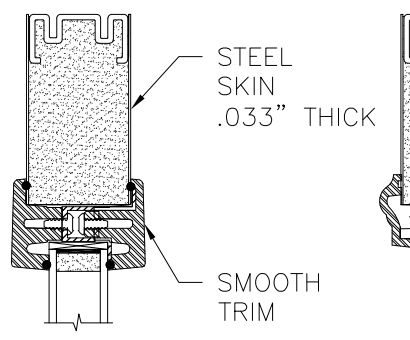
REVISIONS			
REV	DESCRIPTION	DATE	APPROVED
J	ADDED GLAZED FIR TRIMS	08/26/2021	R.L.



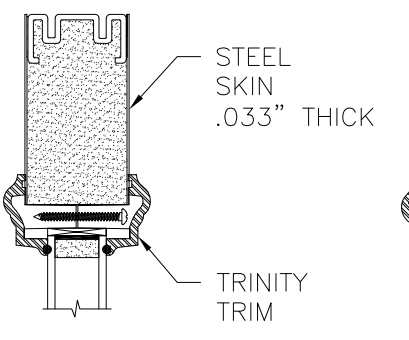
OPTION 1
STANDARD TRIM



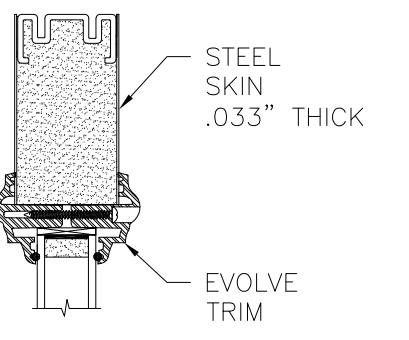
OPTION 2
SIGNET TRIM



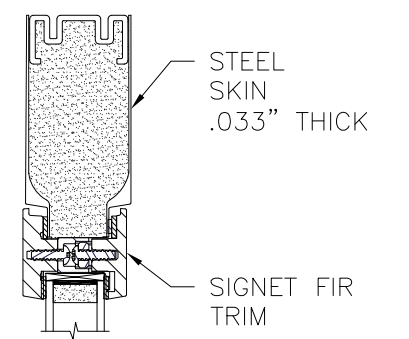
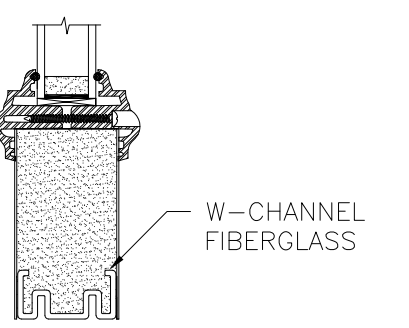
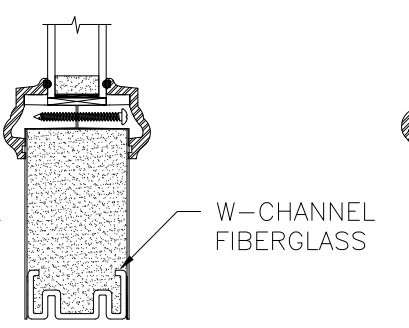
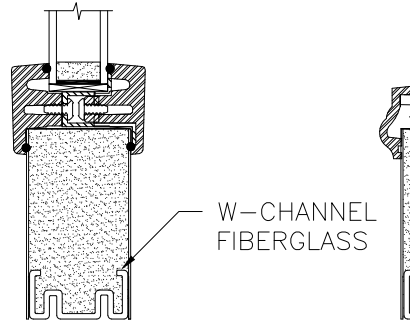
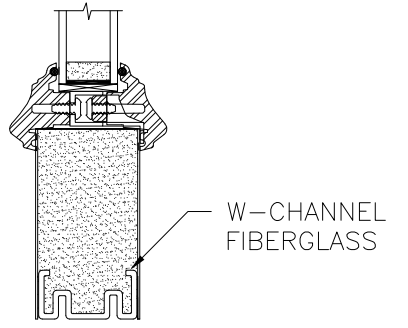
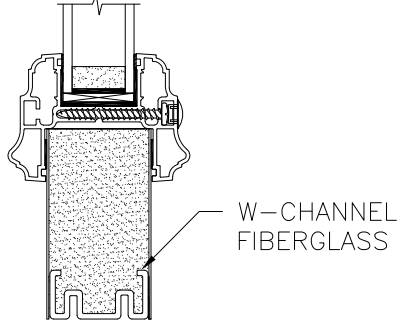
OPTION 3
SMOOTH TRIM



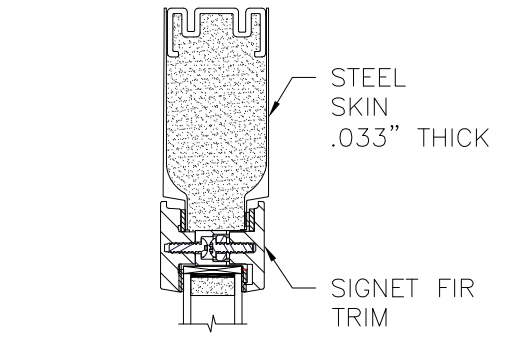
OPTION 4
TRINITY TRIM



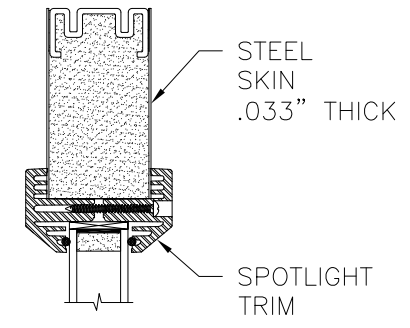
OPTION 5
EVOLVE TRIM



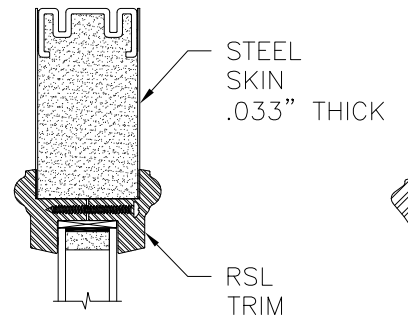
OPTION 11
SIGNET FIR TRIM



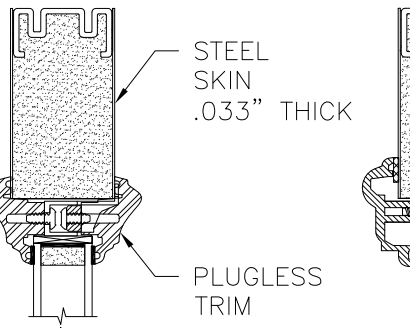
OPTION 12
SIGNET FIR &
DENTIL SHELF TRIM



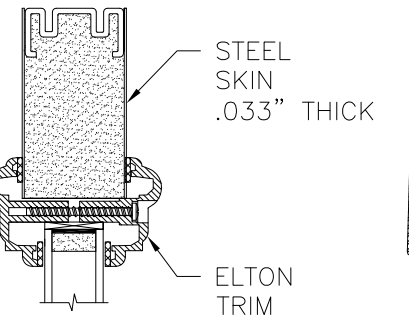
OPTION 6
SPOTLIGHT TRIM



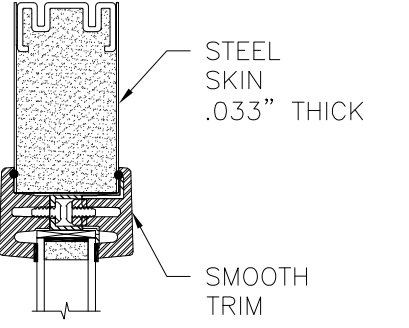
OPTION 7
RSL TRIM



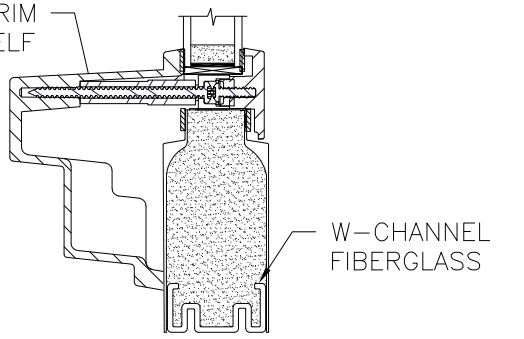
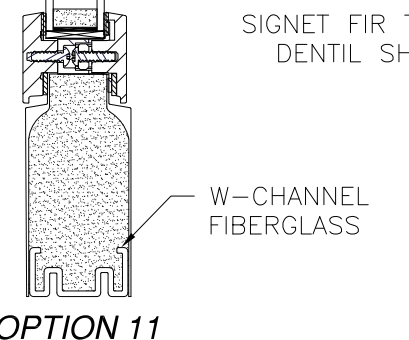
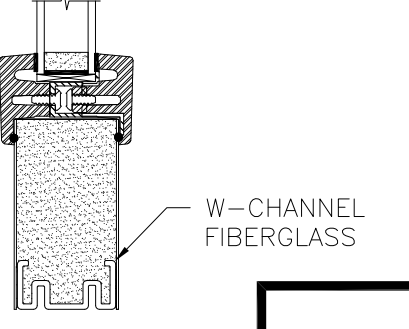
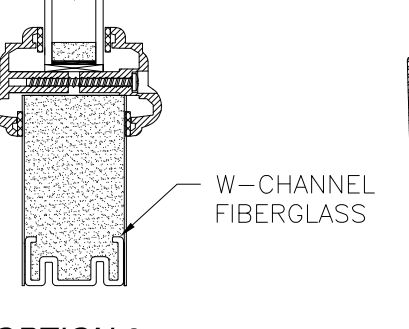
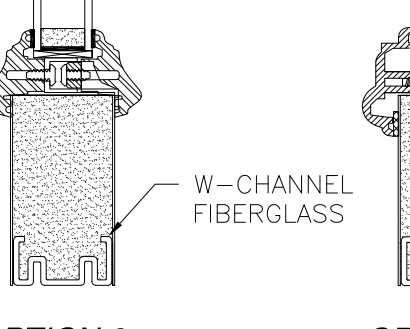
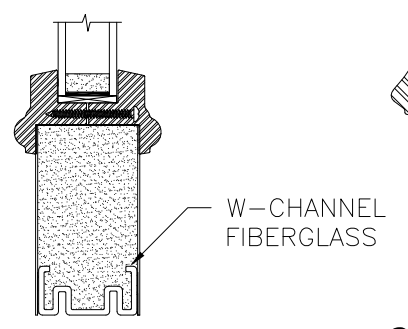
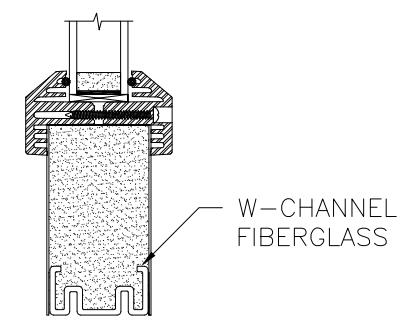
OPTION 8
PLUGLESS TRIM
W/TAPE



OPTION 9
ELTON TRIM



OPTION 10
SMOOTH TRIM
W/TAPE



APPROVED SLABS AND TRIMS

SIGNED: 08/26/2021

PROVIA, LLC.
2150 STATE ROUTE 39 WEST
SUGARCREEK, OH 44681

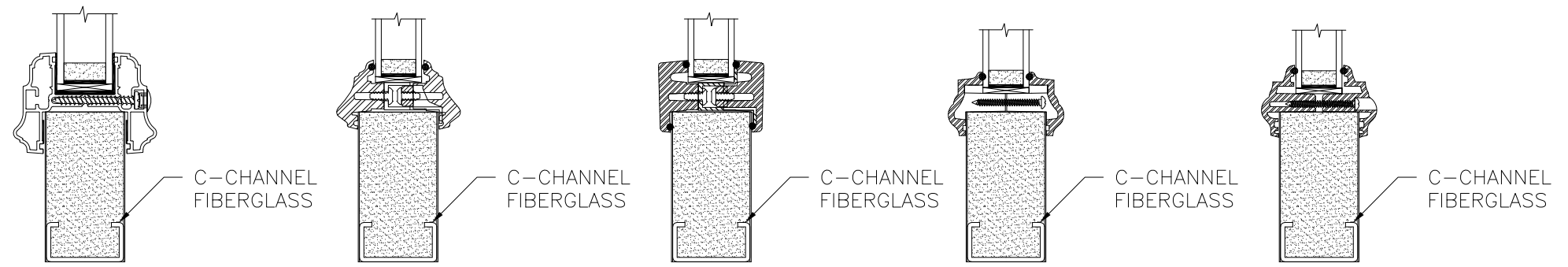
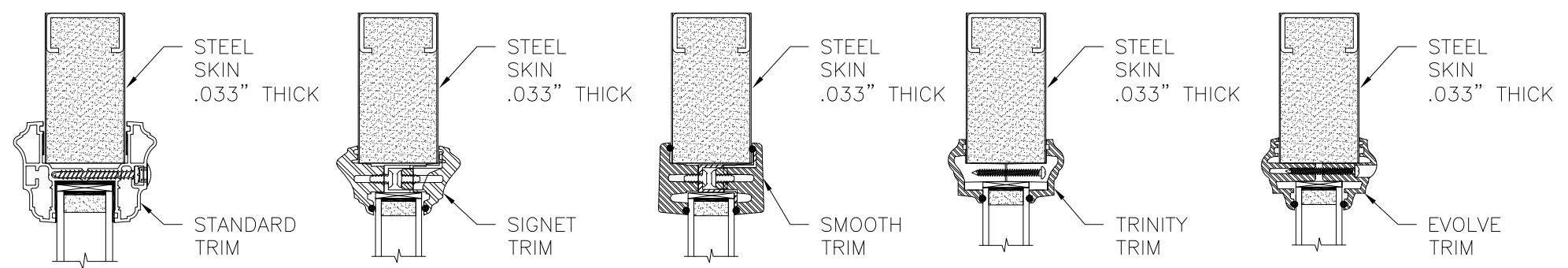
STEEL/FIBERGLASS INSWING GLAZED PATIO DOOR
W/SIDELITES & TRANSOM NON-IMPACT
COMPONENTS DETAILS AND APPROVED PANELS

DRAWN: V.L.	DWG NO. 08-02108	REV J
SCALE NTS	DATE 07/01/13	SHEET 10 OF 13

L. ROBERTO LOMAS P.E.
1432 WOODFORD RD LEWISVILLE, NC 27023
434-688-0609 rllomas@rlomaspe.com

Luis R. Lomas P.E.
FL No.: 62514

REVISIONS			
REV	DESCRIPTION	DATE	APPROVED
J	ADDED GLAZED FIR TRIMS	08/26/2021	R.L.



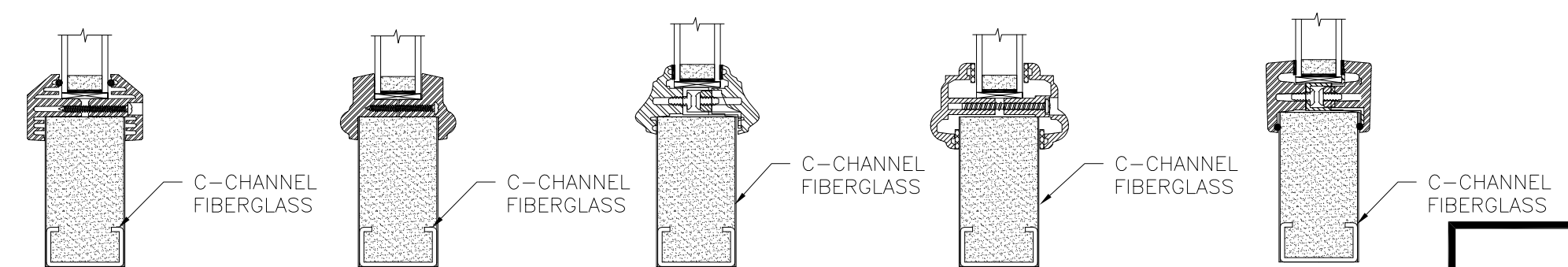
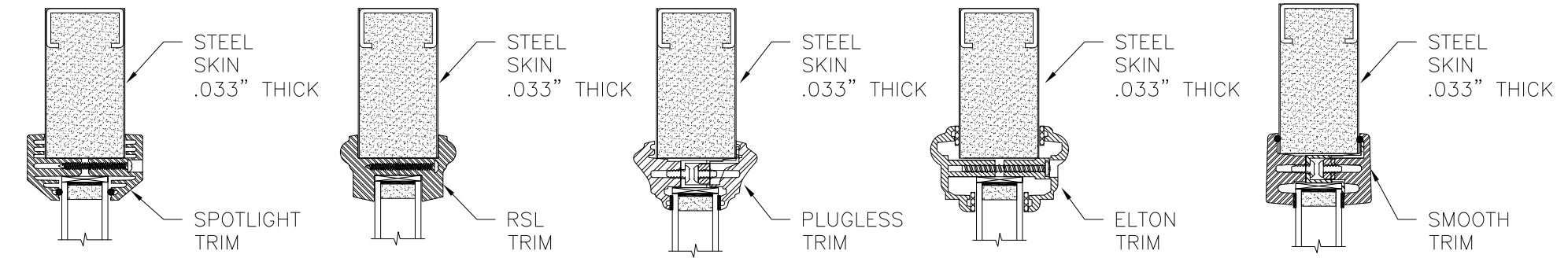
OPTION 13
STANDARD TRIM

OPTION 14
SIGNET TRIM

OPTION 15
SMOOTH TRIM

OPTION 16
TRINITY TRIM

OPTION 17
EVOLVE TRIM



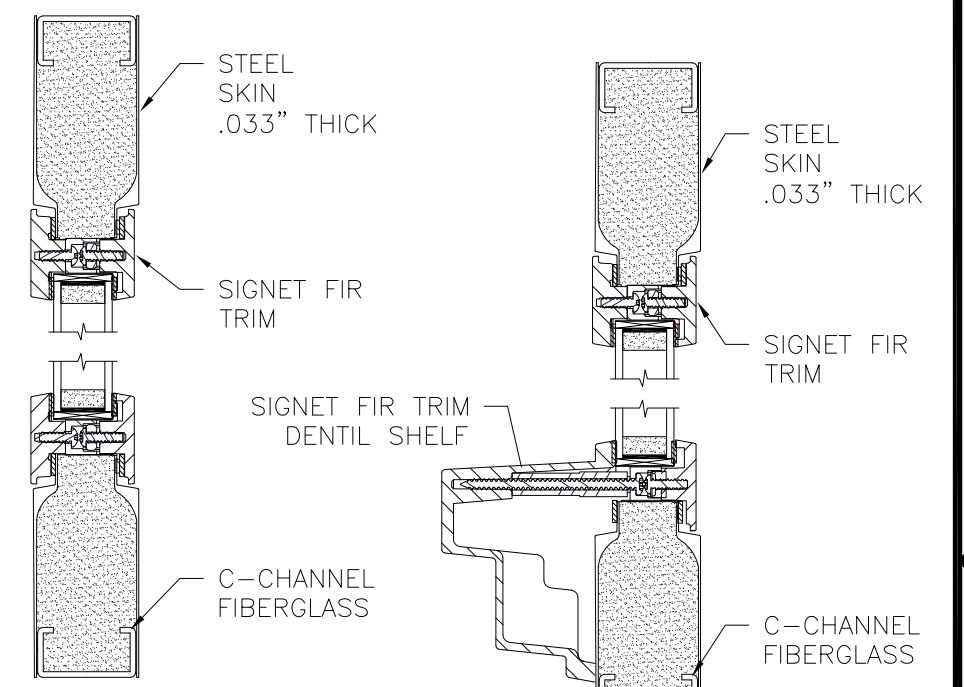
OPTION 18
SPOTLIGHT TRIM

OPTION 19
RSL TRIM

OPTION 20
PLUGLESS TRIM
W/TAPE

OPTION 21
ELTON TRIM

OPTION 22
SMOOTH TRIM
W/TAPE



OPTION 23
SIGNET FIR TRIM

OPTION 24
SIGNET FIR &
DENTIL SHELF TRIM

APPROVED SLABS AND TRIMS

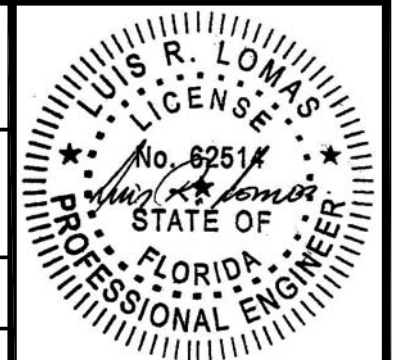
SIGNED: 08/26/2021

PROVIA, LLC.
2150 STATE ROUTE 39 WEST
SUGARCREEK, OH 44681

STEEL/FIBERGLASS INSWING GLAZED PATIO DOOR
W/SIDELITES & TRANSOM NON-IMPACT
APPROVED SLABS AND TRIMS

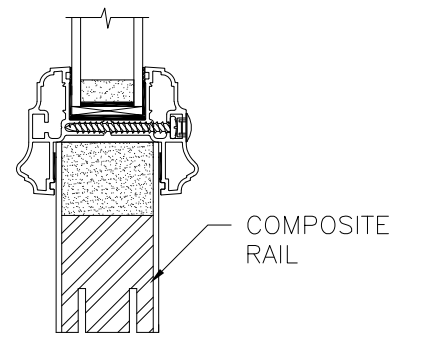
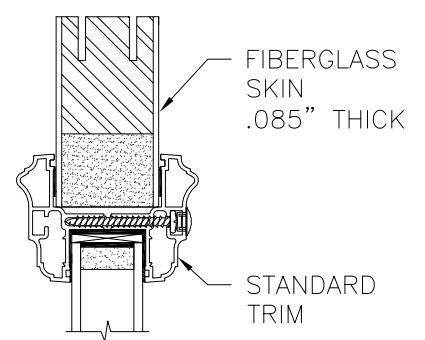
DRAWN: V.L.	DWG NO. 08-02108	REV J
SCALE NTS	DATE 07/01/13	SHEET 11 OF 13

L. ROBERTO LOMAS P.E.
1432 WOODFORD RD LEWISVILLE, NC 27023
434-688-0609 rllomas@rlomaspe.com

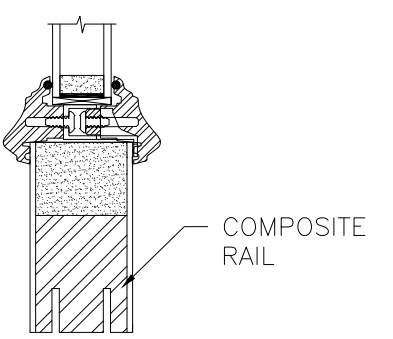
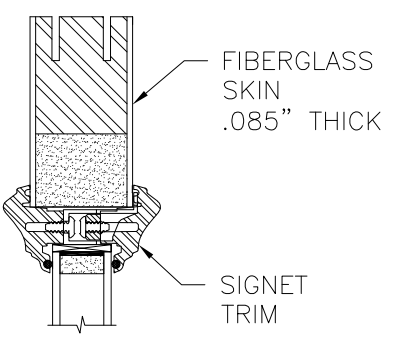


Luis R. Lomas P.E.
FL No.: 62514

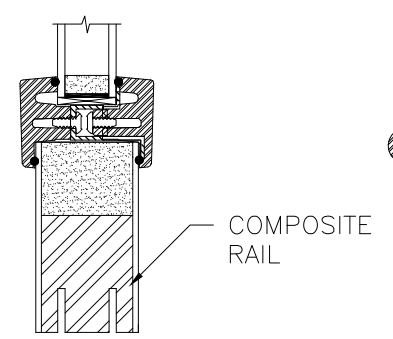
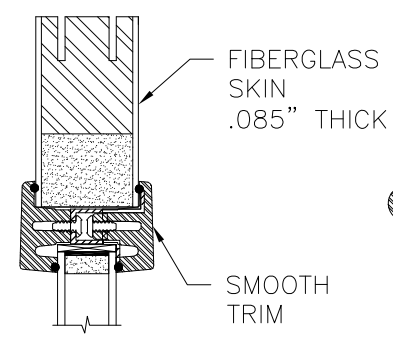
REVISIONS			
REV	DESCRIPTION	DATE	APPROVED
J	ADDED GLAZED FIR TRIMS	08/26/2021	R.L.



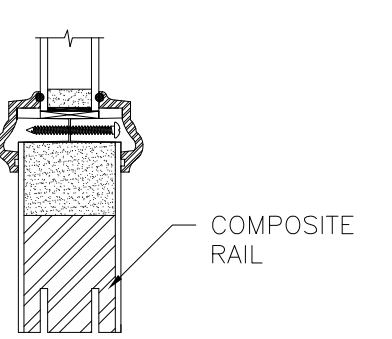
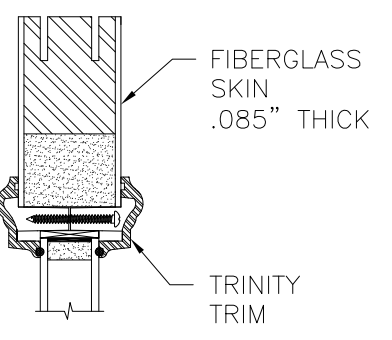
OPTION 25
STANDARD TRIM



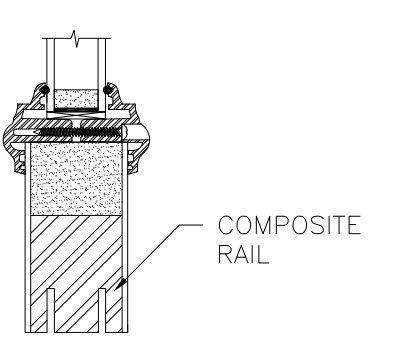
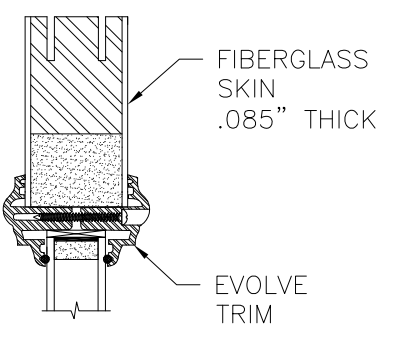
OPTION 26
SIGNET TRIM



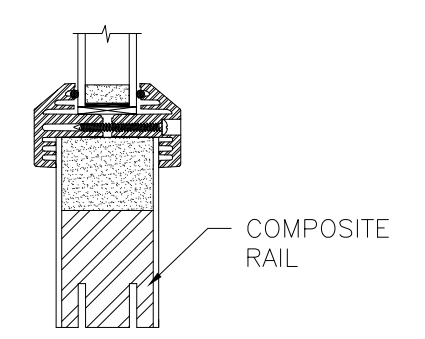
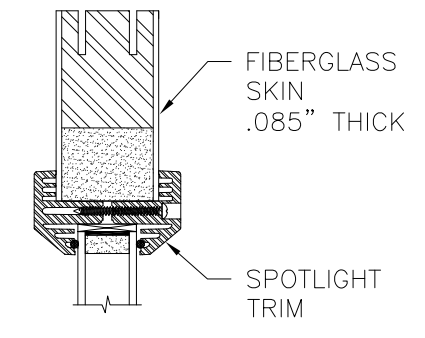
OPTION 27
SMOOTH TRIM



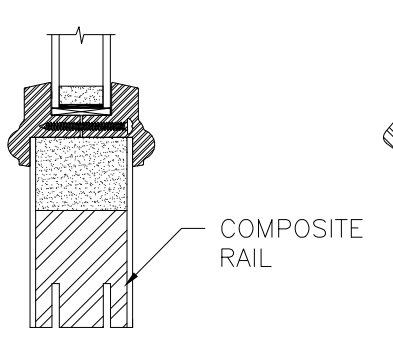
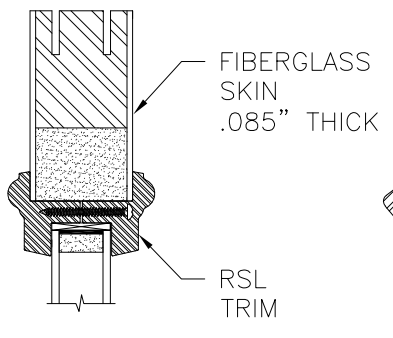
OPTION 28
TRINITY TRIM



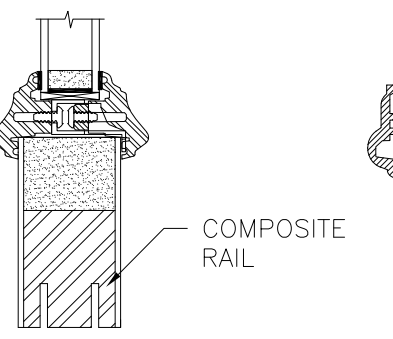
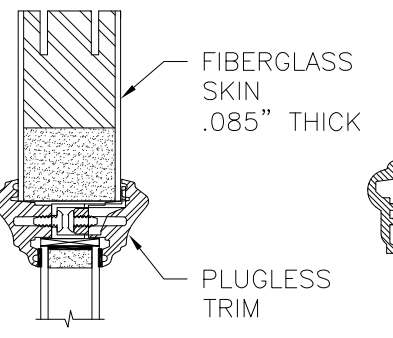
OPTION 29
EVOLVE TRIM



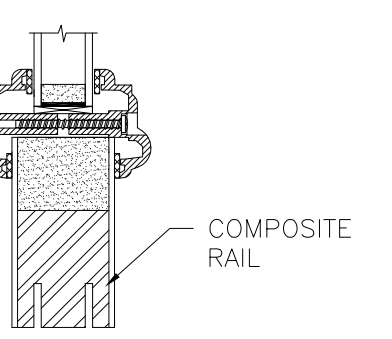
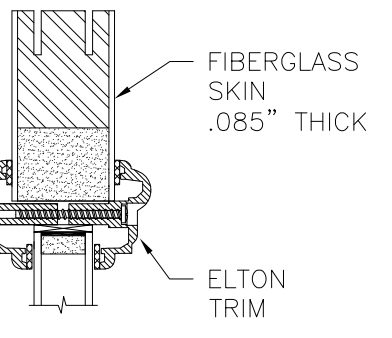
OPTION 30
SPOTLIGHT TRIM



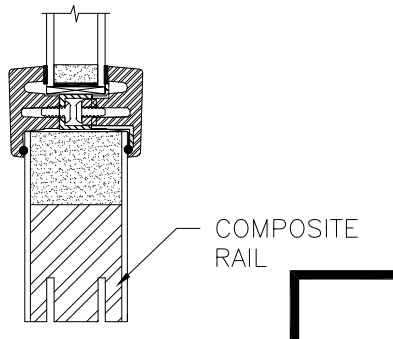
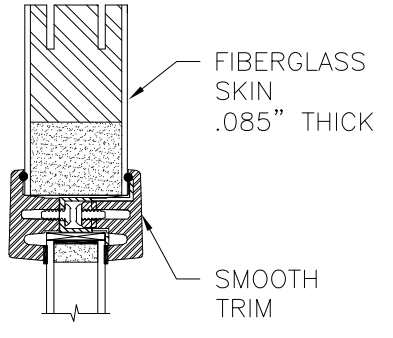
OPTION 31
RSL TRIM



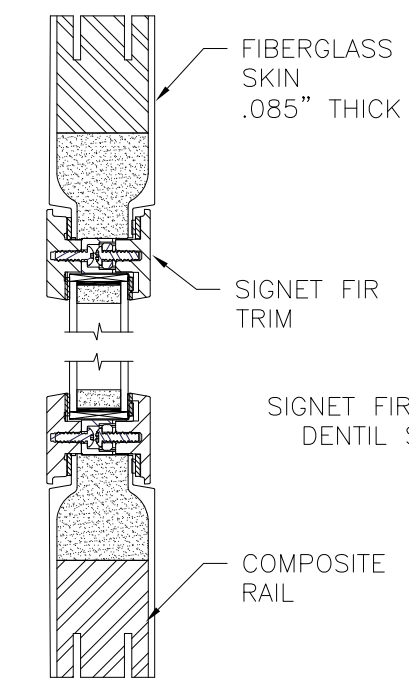
OPTION 32
PLUGLESS TRIM
W/TAPE



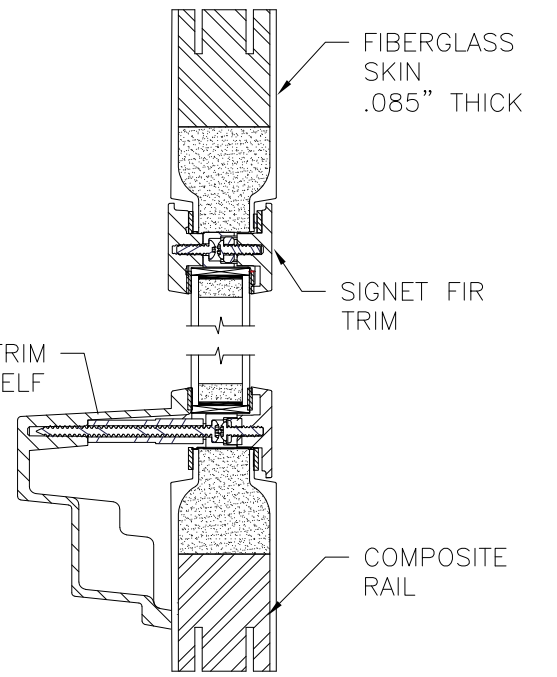
OPTION 33
ELTON TRIM



OPTION 34
SMOOTH TRIM
W/TAPE



OPTION 35
SIGNET FIR TRIM



OPTION 36
SIGNET FIR &
DENTIL SHELF TRIM

APPROVED SLABS AND TRIMS

SIGNED: 08/26/2021

PROVIA, LLC.
2150 STATE ROUTE 39 WEST
SUGARCREEK, OH 44681

STEEL/FIBERGLASS INSWING GLAZED PATIO DOOR
W/SIDELITES & TRANSOM NON-IMPACT
APPROVED SLABS AND TRIMS

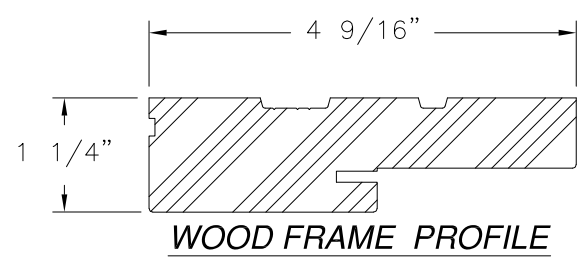
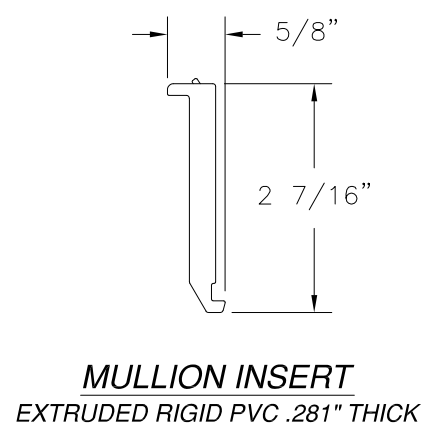
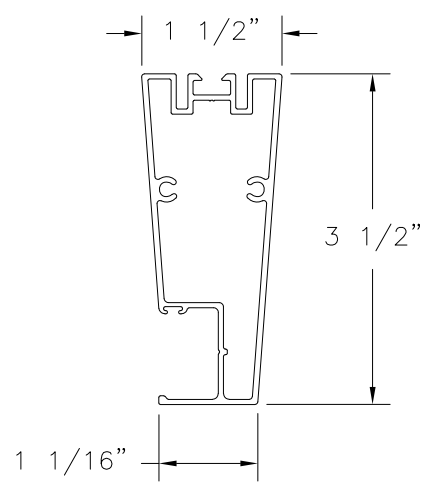
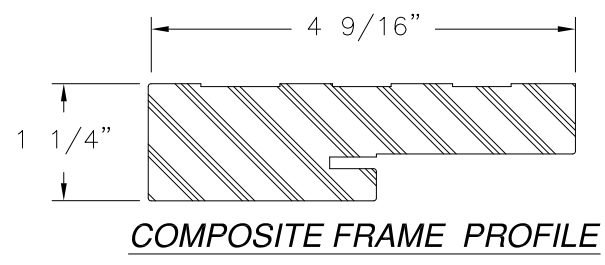
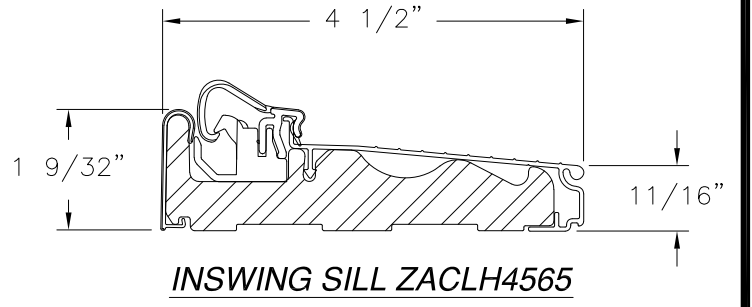
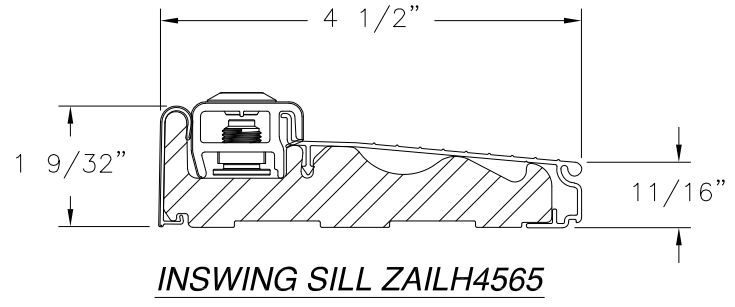
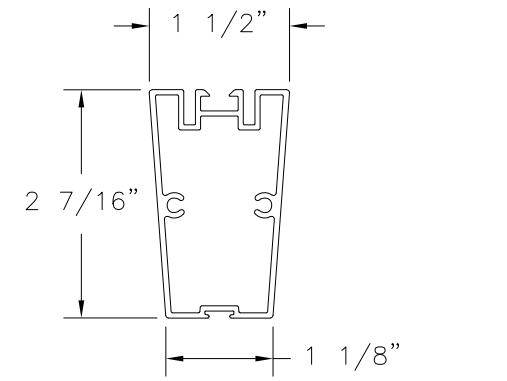
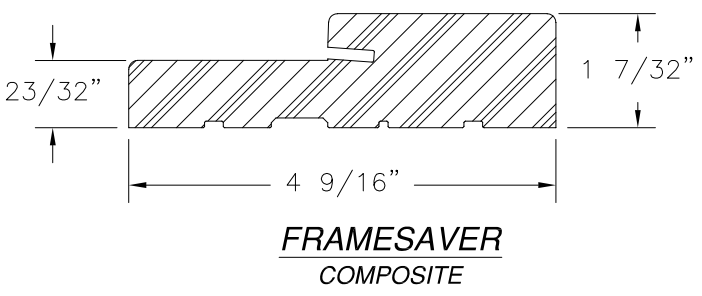
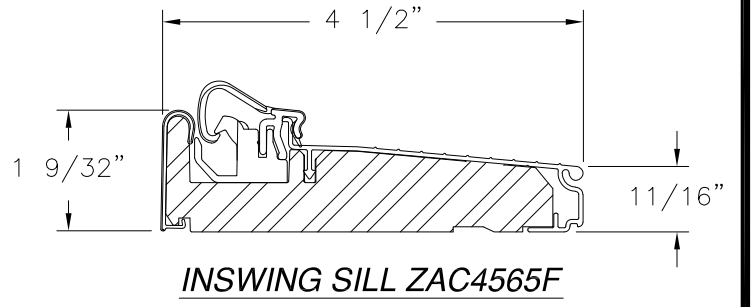
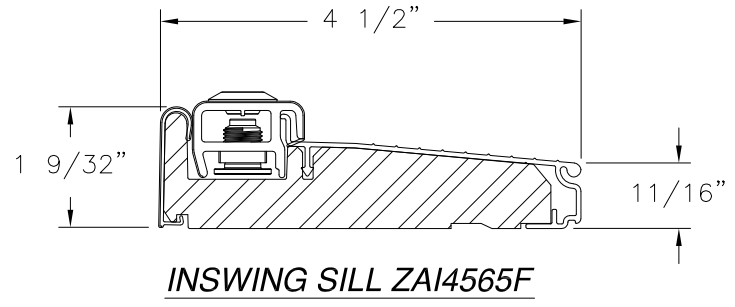
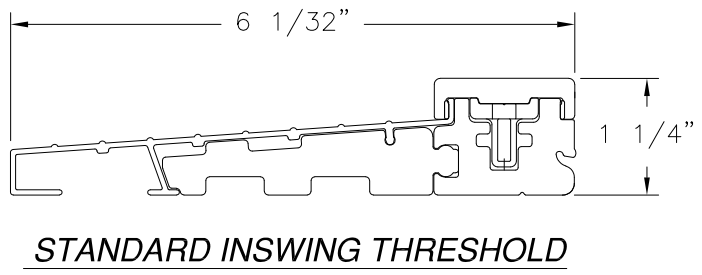
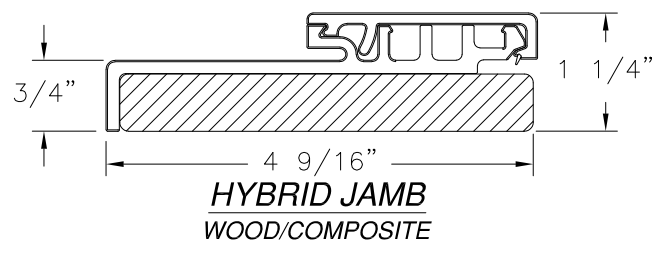
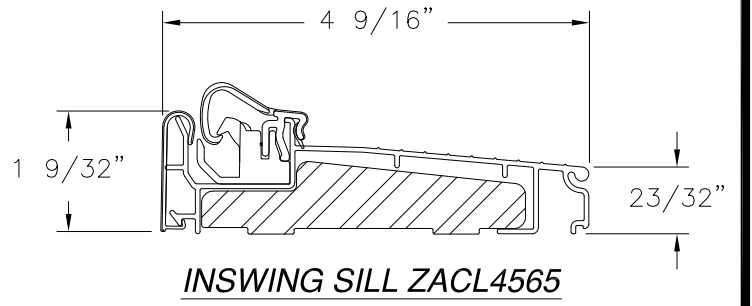
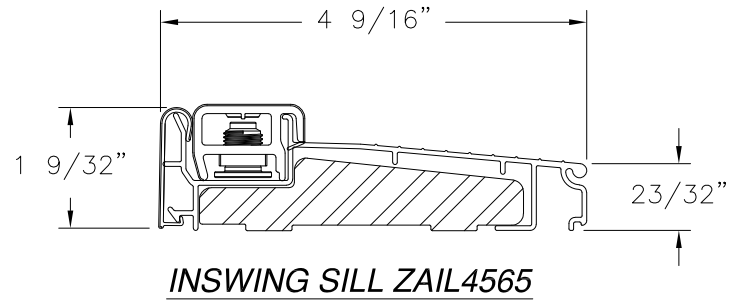
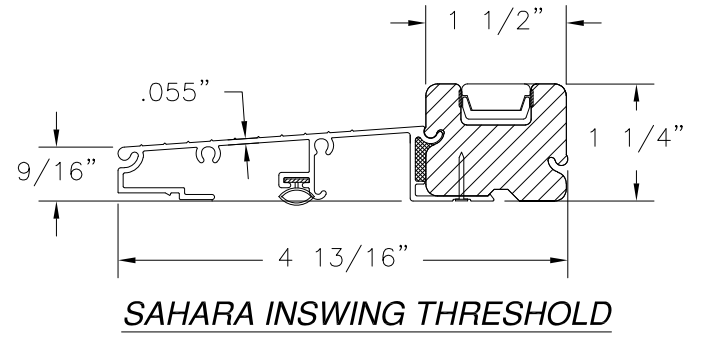
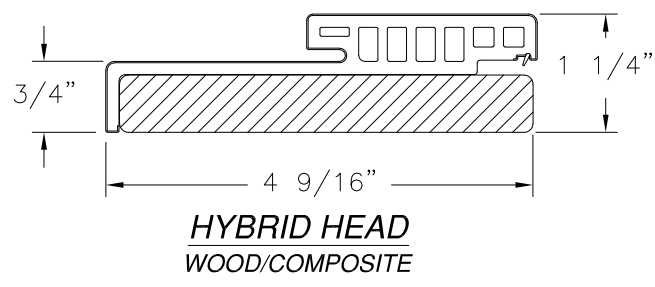
DRAWN: V.L.	DWG NO. 08-02108	REV J
SCALE NTS	DATE 07/01/13	SHEET 12 OF 13

L. ROBERTO LOMAS P.E.
1432 WOODFORD RD LEWISVILLE, NC 27023
434-688-0609 rllomas@lrlomaspe.com



Luis R. Lomas P.E.
FL No.: 62514

REVISIONS			
REV	DESCRIPTION	DATE	APPROVED
J	ADDED GLAZED FIR TRIMS	08/26/2021	R.L.



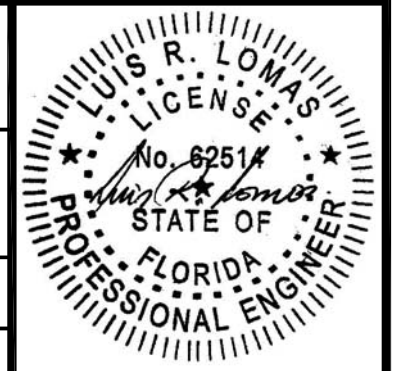
PROVIA, LLC.
2150 STATE ROUTE 39 WEST
SUGARCREEK, OH 44681

STEEL/FIBERGLASS INSWING GLAZED PATIO DOOR
W/SIDELITES & TRANSOM NON-IMPACT
COMPONENTS

DRAWN: V.L.	DWG NO. 08-02108	REV J
SCALE NTS	DATE 07/01/13	SHEET 13 OF 13

L. ROBERTO LOMAS P.E.
1432 WOODFORD RD LEWISVILLE, NC 27023
434-688-0609 rllomas@rlomaspe.com

SIGNED: 08/26/2021



Luis R. Lomas P.E.
FL No.: 62514